

USER MANUAL

MEDITERRANEO

EN

DE

IT

FR

*Thank you for purchasing one of our units
and welcome into the Gold Note world,
where we turn High-End audio and music
into a new experience.*

Maurizio Aterini,
founder of Gold Note

A handwritten signature in black ink, appearing to read 'Maurizio Aterini', written in a cursive style.

IMPORTANT SAFETY INFORMATION

PLEASE NOTE

- 1 Do not disassemble any part of the product.
- 2 Do not use any part of the product for other purposes.
- 3 For service and problems of any kind, contact qualified Gold Note personnel.
- 4 Protect the product from rain, humidity and keep away from heat sources, electric and electronic motors etc. The power cord supplied must be used only on this unit.
- 5 Gold Note does not have responsibility for any improper use of this unit.

GENERIC INFORMATION

- | Read these instructions and store them.
- | Heed all warnings.
- | Follow the instructions.
- | Do not use this apparatus near water.
- | Clean only with a dry cloth.
- | Do not block the ventilation openings and install in accordance with the manufacturer's instructions.
- | Do not install near heat sources such as radiators, heat registers, stoves or other apparatus (including amplifiers) that produce heat.
- | Do not defeat the safety purpose of the polarised or grounding-type plug: a polarised plug has two blades with one wider than the other.
- | A grounding type plug has two blades and a third grounding prong. The wide blade or

the third prong are provided for your safety.

If the provided plug does not fit into your outlet, consult an electrician for replacement of the obsolete outlet, or pinched particularly at plugs, convenience receptacles, and the point where they exit from the apparatus.

- | Only use attachments/accessories specified by the manufacturer.
- | Use only with the cart, stand, tripod, bracket, or table specified by the manufacturer, or sold with the apparatus.

When a cart is used, use caution when moving the cart/apparatus combination to avoid injury from tip-over.

- | Unplug this apparatus during lightning storms or when unused for long periods of time. Refer all servicing to qualified service personnel only. Servicing is required when the apparatus has been damaged in any way (such as when the power cord or plug is damaged, liquid has been spilled or objects have fallen into the apparatus, the apparatus has been exposed to rain or moisture) and in any case when the apparatus does not operate normally or has been dropped.

This appliance has a serial number located on the rear panel.
Please record the model and serial number and retain them for your records.

MODEL

SERIAL NUMBER



CAUTION!

To reduce the risk of electric shock, do not remove cover (or back). No user-serviceable parts inside. Refer only to qualified Gold Note service personnel for service.

WARNING!

To prevent fire or shock hazard, do not expose this appliance to rain or moisture.



GOLD NOTE - Information on the correct management of waste from household Equipment pursuant to the European Directive 2012/19/EU

The crossed-out wheeled bin symbol shown on the equipment or its packaging indicates that the product, at the end of its useful life, must be collected separately from other waste to allow its proper treatment and recycling. The user must therefore deliver, free of charge, the end-of-life equipment to the centres for the separate collection of waste electrical and electronic equipment, or return it to the dealer in accordance with the procedures established by the legislation.

The appropriate separate collection of discarded equipment allows for proper recycling, treatment and environmentally compatible disposal, helping to avoid the possible dispersion of hazardous substances and negative effects on the environment and health, favouring the reuse and/or recycling of the materials of which the equipment is composed of. Illegal dumping of the product by the user involves the application of administrative sanction provided for by the legislation in force. We invite you consult the current legislation and the measures adopted by the public service operating in your country or territory.

| INDEX

INTRODUCTION AND FEATURES	1
DESIGN AND PERFORMANCE	2
TECHNICAL SPECIFICATIONS	3
SET-UP INSTRUCTIONS	4
UNBOXING	5
INSTALLING THE TURNTABLE	6
POWER ADAPTER AND SPEED CONTROL	10
CARTRIDGE CALIBRATION	11
DETACHABLE DUST COVER	13
PRODUCT REGISTRATION	14
TROUBLESHOOTING	15
RELATED PRODUCTS	16

| PACKAGE CONTENT

EN

DE

IT

FR

1x

MEDITERRANEO

1x

DUST
COVER
(with spacers)

1x

18V POWER
SUPPLY
(with cable)

1x

ANTI-
SKATING

2x

COUNTERWEIGHTS

| 110g | 28.5g

1X

TONEARM
(pre-installed and calibrated)

1x

DRIVE
BELT

1x

PLATTER
SPINDLE TIP
(with adapter)

3x

SPIKE
WASHERS

1x

TURNTABLE
CLAMP

3x

ALLEN KEYS

| 2.5mm | 2.0mm | 1.5mm

1x

OIL JAR

1x

PROTRACTOR/OVERHANG and
STROBOSCOPE

1x

GN STYLUS
GAUGE

1x

FELT MAT

1x

BALL
BEARING

1x

USER
MANUAL

| INTRODUCTION AND FEATURES

The beauty and technical innovation of the Mediterraneo turntable demonstrates Italian flair and distinction, as well as the strong legacy of its Tuscan origins. Here, the traditional emphasis on beauty combines with the greatest attention to perfection.

The Mediterraneo features a 60mm thick curved plinth made of Italian walnut hardwood. Such unique woods are well known for their exceptional elasticity, strength and high density.

The curved plinth is precisely shaped for perfect tuning and is then interfaced with the 3mm stainless steel board threaded to the wooden curved plinth in 18 points. Finally the structure is completed with the 20mm acrylic plinth that carries the recessed electronic boards. The curved wooden plinth is the result of years of research aimed at improving the traditional rectangular shape structure; the extra rigidity given by the curves of the plinth allows for a sophisticated design and exclusive looks. The turntable lays on three massive aluminium adjustable spikes designed specifically for the Mediterraneo.

The Mediterraneo features a new 12V synchronous motor electronically controlled by our proprietary power generator based on a Quadral-Core micro-controller. It effectively minimises vibrations while delivering high torque for the greatest dynamic and resolution possible.

The Power Supply electronically controls the 33 $\frac{1}{3}$ and 45 rpm speed modes, and the fine speed adjustment. The new perfectly polished hourglass motor pulley allows extra smooth rotation of the belt thus reducing the wow&flutter and noise.

The 80mm long platter Spindle/bearing comes directly from the top quality design of the Bellagio Reference; it is fully recessed into the top plinth in order to keep the thick platter as close as possible to the surface,

reducing any turbulences generated by the rotation.

The platter is 45mm thick and made of POM, a very elastic but deaf material, it features an extraordinary ability to reduce vibrations while the high-mass helps the rotational stability.

The Mediterraneo redefines the concept of functional design for traditional turntables, exploring innovative shapes and materials in an unprecedented way.

A new audio experience awaits you, welcome to the Italian Sound.

| DESIGN AND PERFORMANCE

EN

DE

IT

FR

The sound delivered by our turntables is the result of the synergy of a large number of components. Your Mediterraneo features refined details and technical solutions developed to play your vinyl records to perfection.

| The main plinth is made of Italian Walnut hardwood, it's 60mm thick and reinforced with a 3mm stainless steel plate and a 20mm acrylic plinth to provide an extremely rigid structure, offering high stability to prevent vibrations.

| Using wood, stainless steel and acrylic for the plinth offers unique advantages in terms of energy dissipation leveraging the unique characteristics of these high-quality materials.

| Three adjustable aluminium feet contribute to the insulation of the structure eliminating external vibrations while allowing perfect levelling of the turntable.

| Contributing to the stability of the Mediterraneo, the platter is 45mm thick and made of POM, a particularly deaf polymer we chose to guarantee the ideal balance between mass, speed control and insulation.

| The spindle is made of high-quality stainless steel, a solid piece machined with the utmost precision to clamp the platter with the special conical shape Split-Spindle™ we developed. The spindle is 80mm long to ensure top-class performance and features a large longitudinal groove on its axis for the lubricating oil to run constantly. With its unique design and the perfect spindle/housing ratio, the spindle distributes the inertial energy along its entire axis completely cancelling lateral friction and preventing the pendulum effect of the platter.

| Particular attention and care went into designing the spindle housing, which is

recessed to allow the platter to be located as close as possible to the turntable plinth in order to minimise potential air turbulence and guarantee perfectly controlled rotation and speed.

| The bronze bearing is finely machined and rectified to guarantee smooth rotation and stability to the spindle, along with the custom platter bearing that is designed to reduce potential noise.

| The platter bearing is threaded on the outside in order to be tightly locked into the plinth on its own axis achieving extremely precise coupling.

| Our engineers have developed a custom AC 12V micro-controlled motor fine-tuned for accuracy, with 33¹/₃rpm & 45rpm electronic speed control and pitch adjustment. It delivers a flawless balance of power and torque while operating in complete silence.

| TECHNICAL SPECIFICATIONS

MAIN FEATURES

- | Wow & flutter:
0,1%
- | Rumble:
-80db
- | Speed:
33 $\frac{1}{3}$ rpm and 45 rpm \pm 0,1%
- | Speed changing:
Electronic with fine pitch control
- | Transmission:
70 shores rectified EPDM belt
- | Motor:
High torque 12V synchronous
- | Platter:
45mm thick high-density POM
- | Platter spindle:
Split-spindle™ clamping design
- | Platter bearing:
Tungsten 5mm ball bearing
- | Tonearm:
Gold Note B-7 Ceramic (or opt. B-5.1)
- | Dust cover:
Transparent acrylic with hinges

POWER

- | Power supply:
18V output, 100-240V / 50-60Hz
- | Power consumption:
max 27W

DIMENSIONS AND WEIGHT

- Dimensions:
470mm W | 210mm H | 360mm D
590mm W | 510mm H | 460mm D – boxed
- Weight:
Kg. 20
Kg. 26 - boxed

| SET-UP INSTRUCTIONS

EN

DE

IT

FR

FIRST OPERATION

- 1 Please remove carefully the protecting foam and check if all the listed items are supplied.
- 2 Place the turntable on a levelled surface, then level the turntable.
- 3 Install the counterweight on the tonearm, ensure the tracking weight matches the requirements of your cartridge.
- 4 Install the drive belt around the motor pulley first, then carefully run it around the platter.
- 5 Plug the power adapter cable into the turntable, then connect it to the AC.

POSITIONING THE TURNTABLE

Your turntable has been designed for Hi-Fi systems. It must be protected from direct sun and humidity. Do not place it near heating sources, electrical and electronic motors, mobile phones etc. The levelling and positioning on a solid shelf, is crucial to achieve the best audio performances possible.

SPEED CONTROL ADJUSTMENTS

The turntable is fully controlled by an electronic power supply.

- 1 Inner button starts and stops the $33\frac{1}{3}$ rpm speed. When this speed is playing, the red LED light is on.
- 2 Outer button starts and stops the 45rpm speed. When this speed is playing, the red LED light is on.

The turntable also features a fine speed adjustment "Pitch Control" function to allow for precise calibration of the speed.

PITCH CONTROL MODE

To adjust the speed, press and hold for 4 seconds both the $33\frac{1}{3}$ rpm and 45rpm buttons while the turntable is playing either speed until the red LED light shuts down.

| PITCH -

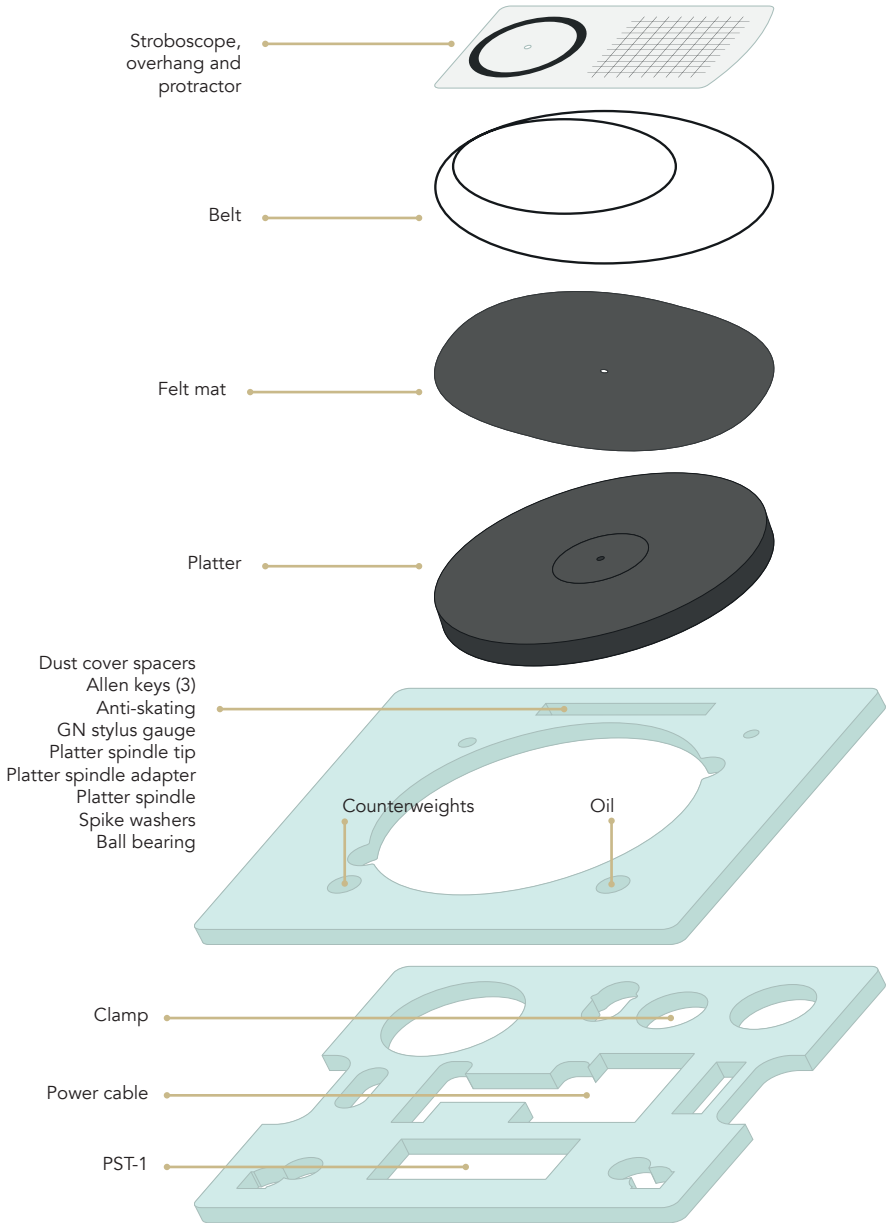
Press the $33\frac{1}{3}$ rpm button until the correct speed is reached. The LED light flashes every time the button is pressed.

| PITCH +

Press the 45rpm button until the correct speed is reached. The LED light flashes every time the button is pressed.

To switch off of the PITCH CONTROL MODE press and hold for 4 seconds both the $33\frac{1}{3}$ rpm and the 45rpm buttons until the LED light is on and steady again.

| UNBOXING



| INSTALLING THE TURNTABLE

EN

DE

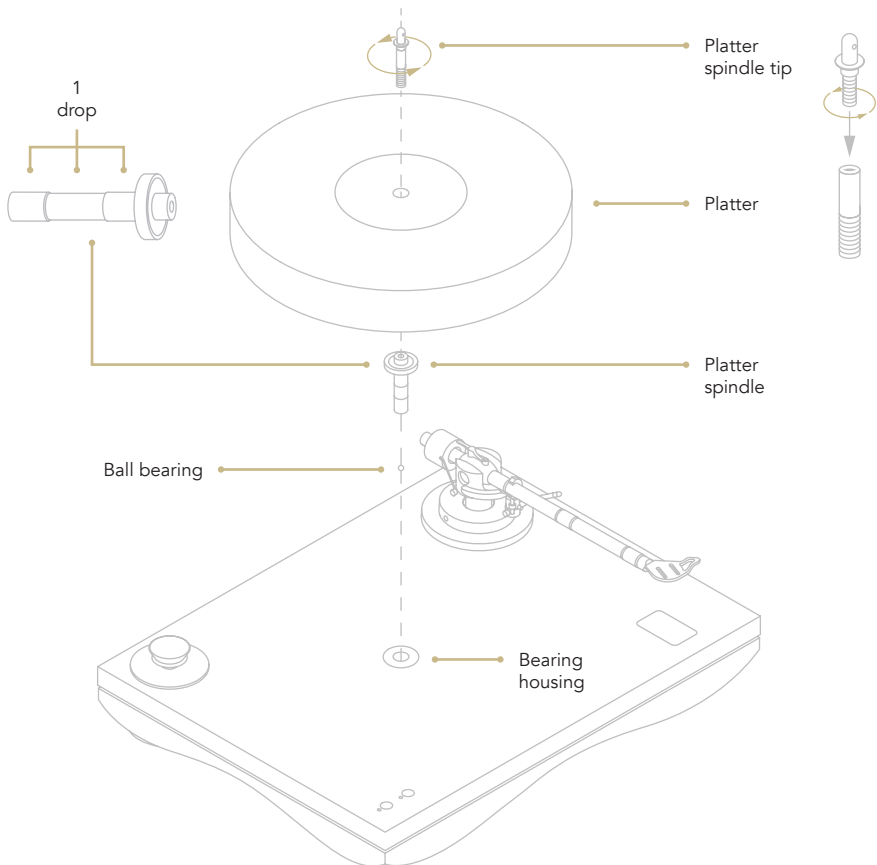
IT

FR

PLATTER

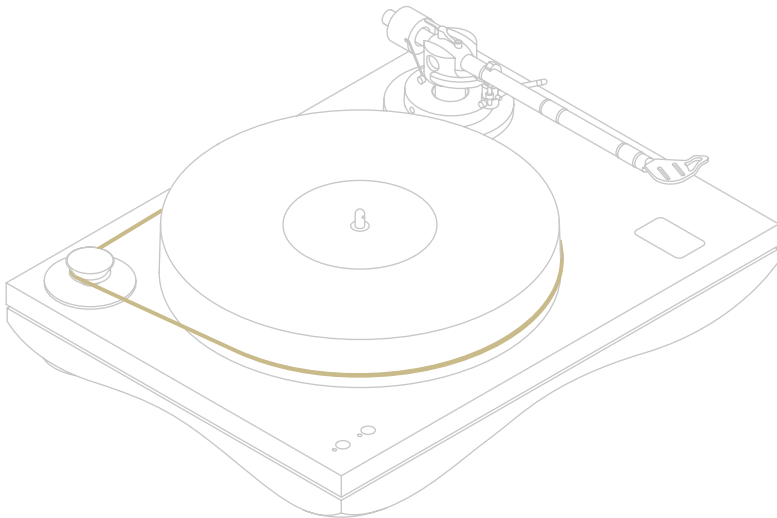
- 1 Remove the cap from the center of the turntable.
- 2 Insert the ball bearing into the bearing housing of the turntable taking care to centre it on the bottom seat.
- 3 Add oil to spindle as shown in figure.
- 4 Insert the spindle into the bearing housing.
- 5 Position the platter on the spindle.
- 6 Tighten the spindle tip onto the spindle to lock the platter in place.

*PLEASE NOTE: the bearing housing is already installed in the plinth of the turntable. Do not remove it.



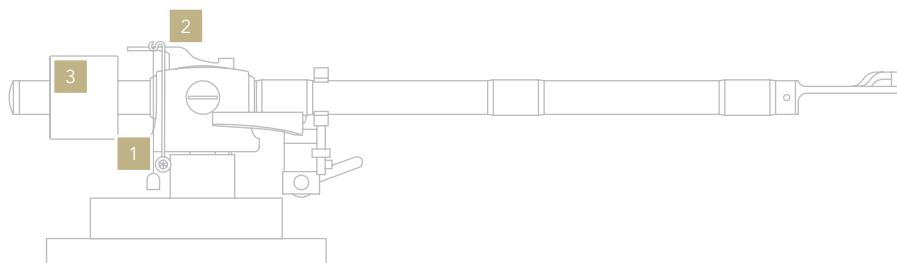
BELT AND THE TONEARM CABLE

Wrap the belt around the pulley and the platter as shown in the picture.



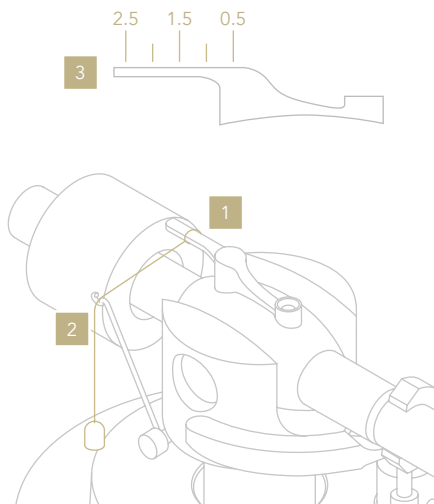
ANTI-SKATING AND COUNTERWEIGHT

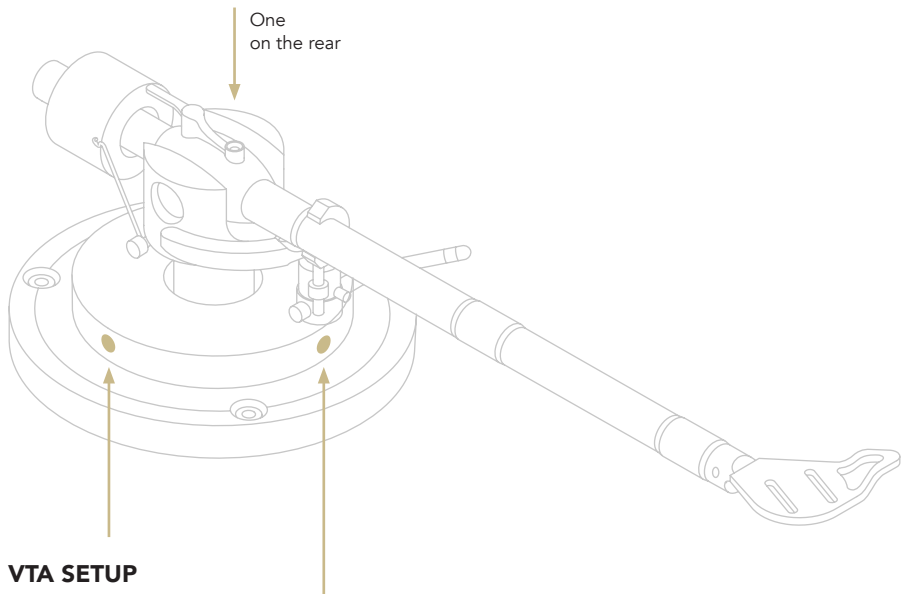
- 1 Anti-skating: Nylon wire with bullet counterweight.
- 2 Anti-skating: Adjustment bar.
- 3 Tonearm counterweight: to set up the correct tracking force depending on the phono cartridge in use.



INSTALLING THE ANTI-SKATING SYSTEM

- 1 Slip the loop of the ANTI-SKATING nylon wire over the groove of the ADJUSTMENT BAR.
- 2 Feed the wire through the loop of the SUPPORT HOOP.
- 3 Adjust the ANTI-SKATING force choosing the correct groove on the ADJUSTMENT BAR.





VTA SETUP

Use the 1.5mm Allen key supplied to adjust the VTA. Before moving the tonearm, loosen the hex bolts found in the tonearm collar. We recommend to loosen one hex bolt at a time (usually loosening one is enough to adjust the VTA).

POWER ADAPTER AND SPEED CONTROL

EN

DE

IT

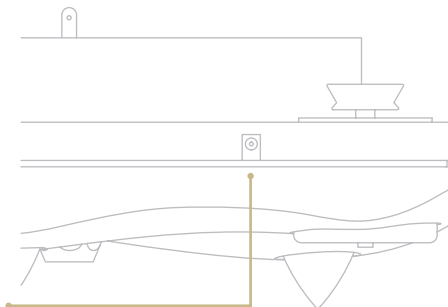
FR

CONNECTING THE POWER SUPPLY ADAPTER

Before plugging the power adapter in to the AC make sure the connector is plugged into the turntable.

PLEASE NOTE

Use only the original power adapter to power the turntable to ensure the correct functioning.



TURNTABLE SPEED CONTROL

33 $\frac{1}{3}$ rpm:

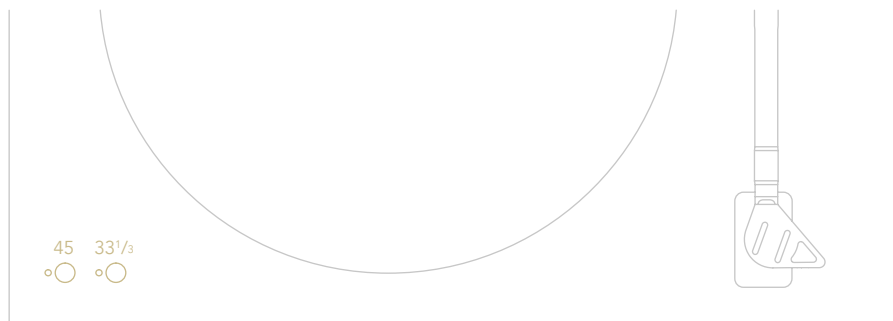
Starts and stops the 33 $\frac{1}{3}$ rpm speed. The LED light flashes every time the button is pressed.

45rpm:

Starts and stops the 45rpm speed. The LED light flashes every time the button is pressed.

PITCH CONTROL MODE

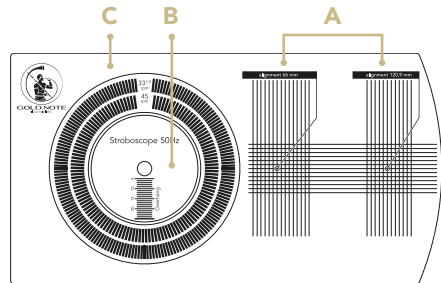
Please check page 4 for detailed instructions on how to fine adjust the speed of your turntable.



| CARTRIDGE CALIBRATION

Our turntables and tone arms are always pre-calibrated at our factory but you can use the GN Calibration tool to adjust the:

- A** Phono Cartridge alignment.
- B** Overhang.
- C** 45rpm and 33 $\frac{1}{3}$ rpm speed (requires a strobe light).

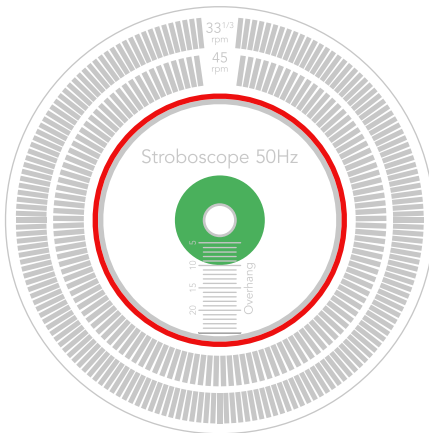


SPEED ADJUSTMENTS

Check the speed with the help of a strobe light while the platter is spinning.

The outer line is to check the 33 $\frac{1}{3}$ rpm.

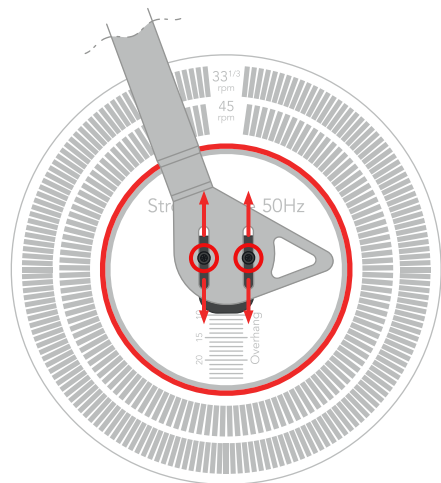
The inner line is to check the 45rpm.



OVERHANG

To set the correct overhang the Calibration Tool must be inserted on to the turntable record pin and the cartridge Tip must be positioned on top of the pin.

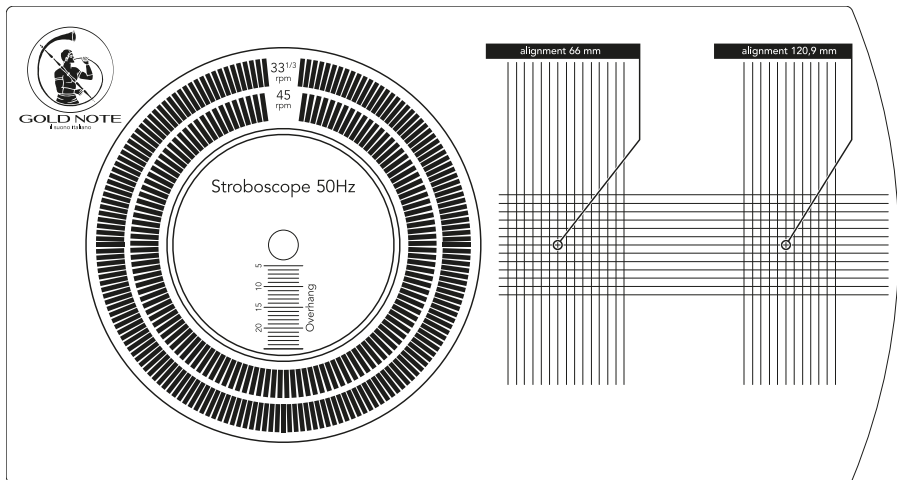
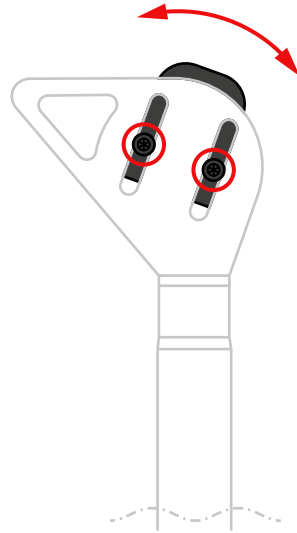
Adjust the position of the cartridge until the overhang of the phono cartridge matches the manufacturer's specifications.



ALIGNMENT

To correctly align the phono cartridge and achieve the best tracking position, point the tip of the phono cartridge into the circles as in the picture below.

The body of the phono cartridge must be aligned to the vertical lines.



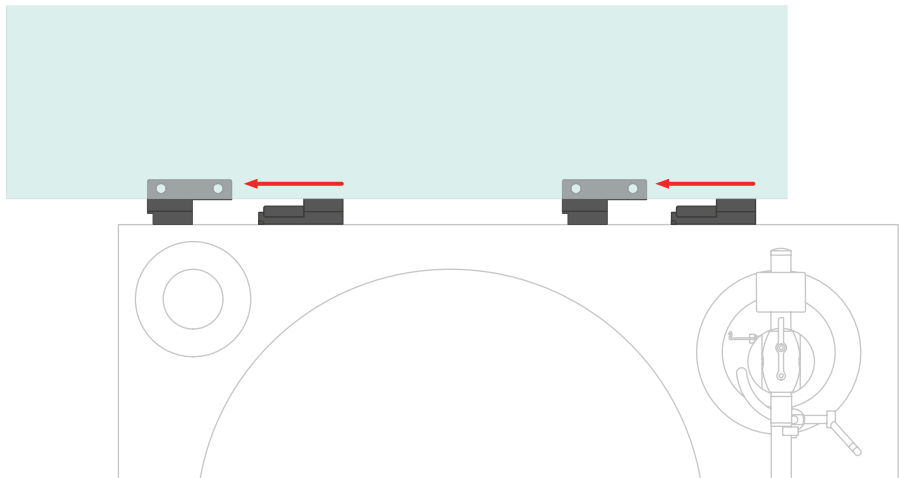
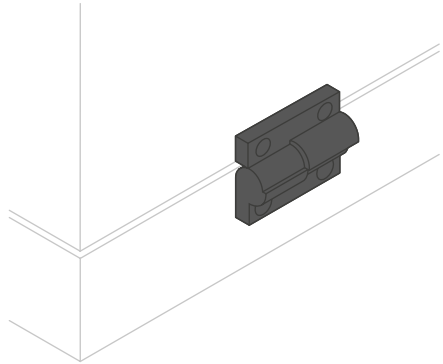
| DETACHABLE DUST COVER

The dust cover features detachable hinges, a new proprietary design developed to let you enjoy your turntable at the best.

The hinges provide a stop point at about 90°: in this position the dust cover is stable and held in place by the hinges.

Removing the dust cover is simple and quick: lift the dust cover until it reaches the 90° stop point and it's completely opened, then gently slide it towards LEFT (facing the turntable) to detach it from the plinth.

Please note: the dust cover can be removed and reinserted only when it's in its resting position, at 90°.



| PRODUCT REGISTRATION

EN

DE

IT

FR

PRODUCT REGISTRATION

We recommend to register the unit on our internet website within 15 days from the purchase at www.goldnote.it/product-registration

If the unit is not registered correctly or has been purchased from a different country of the purchaser home address the unit will not be covered by any warranty and the registration will be refused.

Please note that the warranty does not cover in any case: Tubes, Phono Cartridge Stylus and Batteries.



www.goldnote.it/product-registration

WARRANTY

All Gold Note products come with a warranty against defective materials and workmanship.

Any service and inspection must be carried out by a Gold Note dealer or distributor so in case you need any assistance with this product, please contact the seller.

PLEASE NOTE

Descriptions and technical characteristics may vary at any time and without notice.

WARNING

Gold Note products should only be opened, serviced and inspected by certified Gold Note technicians and dealers. Work performed by unqualified personnel may cause serious damage or personal injury. Opening of the product by non-authorized personnel will void the guarantee.

In this case, contact your dealer to be advised on how the fault can be solved.

Do not return any object directly to the factory or to the distributor without being authorised to do so.

| TROUBLESHOOTING

PROBLEM	CAUSE	SOLUTION
Levelling the turntable.	The turntable is not levelled.	Use a spirit level to help yourself and adjust the levelling by screwing or unscrewing the feet. Unscrewing a foot increase the height of that corner.
Cleaning the turntable.	The turntable is dusty or requires cleaning.	With EXTREME care use ONLY very soft 100% cotton cloth to sweep dust and stains out. Any acid, alcohol or not extremely soft cloth will irreversibly damage the turntable fine aesthetic. Only dry cloth is allowed.
Motor heating.	The motor is too hot.	AC synchronous motors as the ones used by Gold Note may warm up to 50° Celsius without creating any problem.
Noise on startup.	The turntable produces a slight rubbing noise upon startup.	It is normal for the belt to produce a slight noise before the optimal speed is reached.

| RELATED PRODUCTS

EN

DE

IT

FR

CARTRIDGES

| TUSCANY

Our top-of-the-line MC cartridge, the result of over 20 years of experience, boasts an extra-thin Micro Ridge diamond tip and precisely hand-wrapped coils.

| MACHIAVELLI

A low output MC cartridge that delivers a fantastic dynamic range and tonal balance, the perfect tool to extract the finest details from your records.

PHONO STAGES

| PH-1000

The PH-1000 is a fully analogue phono preamplifier featuring limitless EQ Curves, a high-quality Class-A line stage, headphone output and much more. All controlled through the intuitive display and SKC (Single Knob Control) technology.

POWER SUPPLIES

| PST-10

The PST-10 is the external power supply dedicated to Gold Note turntables. Improves the soundstage and the dynamic range, delivering even finer details and realism.



Discover more on our website

www.goldnote.it

EN

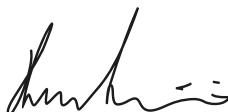
DE

IT

FR

*Vielen Dank, dass Sie sich für eines unserer
Geräte entschieden haben und herzlich
Willkommen in der Welt von Gold Note, wo
wir High-End Audio und Musik in eine neue
Erfahrung verwandeln.*

Maurizio Aterini,
Gründer von Gold Note

A handwritten signature in black ink, appearing to read 'Maurizio Aterini', written in a cursive style.

WICHTIGE SICHERHEITSHINWEISE

BITTE BEACHTEN

- 1 Nehmen Sie das Gerät nicht auseinander.
- 2 Verwenden Sie das Gerät oder Teile davon nicht für einen anderen als den vorgesehenen Zweck.
- 3 Für Reparaturen und Probleme jeglicher Art wenden Sie sich bitte an den Gold Note Fachhändler.
- 4 Schützen Sie das Produkt vor Nässe und Feuchtigkeit und halten Sie es fern von Wärmequellen, elektrischen und elektronischen Motoren, usw. Das mitgelieferte Netzkabel darf nur an diesem Gerät verwendet werden.
- 5 Gold Note übernimmt keine Verantwortung für Schäden durch unsachgemäße Handhabung.

ALLGEMEINE HINWEISE

- | Lesen und verwahren Sie diese Anleitung.
- | Beachten Sie alle Warnungen.
- | Befolgen Sie alle Anweisungen.
- | Verwenden Sie dieses Gerät nicht in der Nähe von Wasser.
- | Reinigen Sie das Gerät nur mit einem trockenen Tuch.
- | Blockieren Sie keine Lüftungsöffnungen. Installieren Sie das Gerät gemäß den Anweisungen des Herstellers.
- | Installieren Sie das Gerät nicht in der Nähe von Wärmequellen wie Heizkörpern, Heizregistern, Öfen oder anderen Geräten (einschließlich Verstärkern), die Wärme erzeugen.

- | Die Sicherheitsfunktion des gepolten oder geerdeten Steckers darf nicht beeinträchtigt werden. Ein polarisierter Stecker hat zwei Blätter, von denen einer breiter als der andere ist. Ein geerdeter Stecker hat zwei Klingen und einen dritten Erdungsstift. Die breite Klinge oder der dritte Zinken dienen Ihrer Sicherheit. Wenn der mitgelieferte Stecker nicht in Ihre Steckdose passt, wenden Sie sich an einen Elektriker, um die veraltete Steckdose auszutauschen.
- | Schützen Sie das Netzkabel vor unbefugtem Betreten oder Quetschungen, insbesondere an Steckern, Steckdosen und an der Stelle, an der sie aus dem Gerät austreten.
- | Verwenden Sie nur die vom Hersteller angegebenen Anbaugeräte/Zubehörteile.
- | Verwenden Sie das Gerät nur mit dem vom Hersteller angegebenen oder mit dem Gerät verkauften Wagen, Ständer, Stativ, Halter oder Tisch. Wenn ein Wagen benutzt wird, seien Sie vorsichtig, wenn Sie die Kombination Wagen/Gerät bewegen, um Verletzungen durch Umkippen zu vermeiden.
- | Das Gerät soll bei Gewitter oder längerer Nichtbenutzung vom Netz getrennt werden.
- | Die Wartungsarbeiten und Reparaturen nur von qualifiziertem Fachpersonal des Kundendienstes ausführen lassen. Das Gerät zum Kundendienst bringen, wenn es Regen oder Feuchtigkeit ausgesetzt war, wenn Flüssigkeit oder Fremdkörper hineingelangt sind, wenn es heruntergefallen ist oder nicht normal funktioniert, oder wenn das Netzkabel beschädigt ist.

Dieses Gerät hat eine Seriennummer auf der Rückseite.
Bitte notieren Sie sich die Modell- und Seriennummer und bewahren Sie diese für Ihre Unterlagen auf.

MODELL

SERIENNUMMER



VORSICHT!

Um die Gefahr eines Stromschlags zu verringern, entfernen Sie nicht die Abdeckung (oder die Rückseite). Keine vom Benutzer zu wartenden Teile im Inneren befindlich. Für die Wartung wenden Sie sich ausschließlich an qualifiziertes Gold Note Servicepersonal.



WARNUNG!

Um Feuergefahr oder das Risiko elektrischer Schläge zu vermeiden, darf das Gerät nicht der Nässe oder Feuchtigkeit ausgesetzt werden.



GOLD NOTE - Information zum korrekten Umgang mit Elektro- und Elektrogeräte-Abfall gemäß der WEEE-Richtlinie 2012/19/EU des Europäischen Parlaments

Das Symbol der durchkreuzten Abfalltonne auf Rädern auf Geräten oder Verpackungen verweist darauf, dass dieses Produkt am Ende seines Lebenszyklus separat entsorgt werden muss, um dessen korrekte Aufarbeitung und Wiederverwertung zu ermöglichen. Der Nutzer ist dazu aufgerufen, Altgeräte bei bestimmten Altmaterialsammelstellen und Wertstoffhöfen kostenlos zu entsorgen oder Elektrogerätehändlern zurückzugeben, wie es die Gesetzgebung vorsieht. Die korrekte, getrennte Sammlung von Altmaterial ermöglicht eine ordnungsgemäße Wiederverwertung und Behandlung sowie die umweltgerechte Entsorgung. Dies trägt dazu bei, die mögliche Verbreitung gefährlicher Schadstoffe sowie negative Auswirkungen auf die Umwelt und Gesundheit zu vermeiden, und die Wiederverwendung der Bestandteile zu fördern. In Übereinstimmung mit der nationalen Gesetzgebung kann die unsachgemäße Entsorgung dieses Produktes zur Verhängung von Strafen führen. Wir empfehlen Ihnen, die aktuelle Gesetzeslage und die Massnahmen des lokal operativen öffentlichen Dienstes zu konsultieren.

| INHALT

EINLEITUNG UND SCHLÜSSELMERKMALE	23
DESIGN UND PERFORMANCE	24
TECHNISCHE ANGABEN	25
AUFBAUHINWEISE	26
ZUBEHÖR AUSPACKEN	27
MONTAGE DES PLATTENSPIELERS	28
NETZANSCHLUSS UND DREHZAHLUMSCHALTUNG	32
AUSRICHTUNG TONABNEHMER	33
ABNEHMBARE SCHUTZHAUBE	35
PRODUKTREGISTRIERUNG	36
FEHLERBEHEBUNG	37
VERWANDTE PRODUKTE	38

| PACKUNGSGEHALT

EN

DE

IT

FR

1x

MEDITERRANEO

1x

SCHUTZHAUBE
(mit Abstandhalter)

1x

NETZTEIL
18V
(mit Kabel)

2x

GEGENGEWICHT

| 110g | 28.5g

1x

ÖL

1x

VERSCHRAUBUNG FÜR
PLATTENTELLER
(mit Adapter)

1x

TONARMWAAGE

1X

TONARM
(vorinstalliert
und kalibriert)

3x

INBUSSCHLÜSSEL

| 2.5mm | 2.0mm | 1.5mm

1x

ÜBERHANG MIT STROBOSKOPSCHEIBE
Für die Feineinstellung der Geschwindigkeit und des
Tonabnehmers

1x

FILZMATTE

1x

ANTI-
SKATING

1x

ANTRIEBSRIEMEN

1x

LAGERKUGEL

3x

UNTERLEGSCHLEIBEN FÜR
SPIKES

1x

PLATTENKLEMMER

1x

BEDIENUNGSANLEITUNG

EINLEITUNG UND SCHLÜSSELMERKMALE

Die Schönheit und technische Innovation des Plattenspielers Mediterraneo zeugen von italienischem Stil und Flair und beweisen die offensichtliche Verbundenheit mit den toskanischen Ursprüngen. Hier wird der Tradition nach Schönheit mit der höchsten Aufmerksamkeit für technische Perfektion kombiniert.

Der Mediterraneo hat eine 60mm starke geschwungene Grundplatte aus gut abgelagertem Walnuss-Hartholz. Diese einzigartigen Hölzer sind bekannt für ihre außergewöhnliche Elastizität, Härte und hohe Dichte. Dieser Sockel ist zur Abstimmung innen sorgfältig ausgefräst und an 18 strategisch ausgesuchten Punkten mit einer 3mm starken Edelstahlplatte verschraubt. Das Chassis wird durch eine 20mm starke polierte Acrylplatte vervollständigt, die zur weiteren Resonanzminderung beiträgt und die Elektronikschaltung abdeckt.

Seine Konstruktion ist das Ergebnis jahrelanger Entwicklungsarbeit in unseren Gold Note Forschungslaboratorien mit dem Ziel, eine schwere rechteckige Grundstruktur nach traditionellem Muster zu ersetzen - sie verbindet ein elegantes Äußeres mit einer extra stabilen, technisch ausgefeilten Lösung. Das Chassis stützt sich auf drei massive, einstellbare Leichtmetall-Spikes, die eigens für dieses Modell entworfen wurden, um eine feste Ankopplung an den Untergrund zu bieten.

Der Mediterraneo hat einen 12V-Synchronmotor angesteuert durch unseren Leistungsgenerator mit Mikro-Controller D/A-Wandler. Dadurch werden Vibrationen wirkungsvoll unterdrückt bei hohem Durchzug des Antriebs für höchste dynamische Auflösung.

Die Schaltung bietet die beiden elektronisch geregelten Geschwindigkeiten 33^{1/3}rpm und 45rpm und erlaubt eine Feineinstellung der Drehzahl, deren Wert auch bei abgeschaltetem Gerät gespeichert bleibt. Das neuartige, perfekt polierte Antriebsrad sorgt für eine gleichmäßige Rotation mit bisher unerreichten Werten für Gleichlauf und Nebengeräusche.

Das 80mm lange Lager stammt direkt aus dem Spitzenmodell Bellagio Reference. Es ist im Gehäuse versenkt eingebaut, um den Teller so nah wie möglich über dem Chassis schweben zu lassen - das reduziert den Pendeleffekt und durch die Drehung verursachte Luftwirbel.

Der Plattenteller besteht aus 45mm starkem schwarzen POM, einem elastischen und resonanzarmen Material mit hoher innerer Dämpfung, dessen hohe Masse die Drehzahl stabilisiert. Der Teller hat aus den genannten Gründen einen Abstand vom Chassis von nur 3mm.

Das Modell Mediterraneo bietet eine Neudefinition des funktionellen Designs klassischer Plattenspieler, indem innovative Formgebung und besondere Werkstoffe auf beispiellose Weise erforscht werden.

Es erwartet Sie eine neue Art der Hörererfahrung, willkommen in der Welt des Italienischen Klangs.

| DESIGN UND PERFORMANCE

EN

DE

IT

FR

Der Klang, den unsere Plattenspieler liefern, resultiert aus dem Zusammenspiel vieler Faktoren: Ihr Plattenspieler zeichnet sich durch raffinierte Details und technische Lösungen aus, die entwickelt wurden, um Ihre Schallplatten auf perfekte Weise abzuspielen.

| Die Grundplatte aus italienischem Walnuss-Hartholz, ist 60mm hoch und mit einer 3mm starken Edelstahlplatte verstärkt sowie mit einer 20mm starken Acrylseite belegt, um eine besonders steife Grundlage zu schaffen, die hohe Stabilität und Masse bietet und unerwünschten Vibrationen vorbeugt.

| Die Verwendung von Holz, Edelstahl und Acryl für den Sockel bietet einzigartige Vorteile in Bezug auf die Energieableitung zur Dämpfung von Vibrationen und lässt die strukturellen Eigenschaften dieser hochwertigen Materialien wirksam zum Einsatz kommen.

| Drei einstellbare Leichtmetall-Spikes fördern die Isolierung der Struktur und Beseitigung von externen Vibrationen sowie die perfekte Nivellierung des Mediterraneo.

| Der Teller ist aus 45mm starkem Ultra-Dampened POM gefertigt, einem besonders schalltotem Polymerkunststoff, der zusätzlich zur Stabilität des Mediterraneo beiträgt und von uns gewählt wurde, um eine ideale Balance zwischen Masse, Geschwindigkeitskontrolle und Isolierung zu garantieren.

| Die Lagerachse ist aus hochwertigem Edelstahl und mit höchster Präzision gefertigt, um den Teller mit der speziellen, konisch geformten Split-Spindle™ Achse einzuspannen, die wir eigens für unsere Plattenspieler entwickelt haben. Das Hauptlager hat eine Länge von 80mm, um erstklassige Leistungen zu gewährleisten und mit der speziellen,

längsgerichteten Öl-Führung für eine kontinuierliche Schmierung zu sorgen. Dank seiner einzigartigen Gestalt und dem perfekten Verhältnis von Achse und Buchse, verteilt das Lager die Trägheitskräfte, wodurch laterale Reibung vermindert und der Pendeleffekt des Tellers verhindert wird.

| Besondere Aufmerksamkeit wurde der Formgebung der Lagerbuchse geschenkt, die versenkt eingesetzt ist, um eine besonders niedrige Anordnung des Tellers mit geringem Abstand zum Chassis und dadurch eine Verminderung von Turbulenzen bei der Drehung zu erlauben.

| Die Lagerbuchse aus Bronze ist fein bearbeitet für eine gleichmäßige Rotation und hat ein besonders rumpelarmes Widerlager.

| Außen trägt das Tellerlager ein Gewinde, um anhand der eignen Achse fest in den Plattenspieler verschraubt zu werden, wodurch eine besonders präzise Kopplung erzielt wird.

| Unsere Ingenieure haben einen speziellen 12V Motor entwickelt, der für die Ganggenauigkeit durch einen Micro-Controller elektronisch geregelt wird, mit elektronisch kontrollierten Geschwindigkeiten 33 $\frac{1}{3}$ rpm und 45rpm sowie mit Feineinstellung. Er bietet eine fehlerfreie Balance von Kraft und Durchzug bei vollständiger Laufruhe.

| TECHNISCHE ANGABEN

HAUPTMERKMALE

- | Gleichlaufschwankungen:
0,1%
- | Rumpelabstand:
-80db
- | Drehzahlen:
33 $\frac{1}{3}$ rpm und 45rpm \pm 0,1%
- | Umschaltung:
Elektronisch mit Feineinstellung
- | Übertragung:
Präzise geschliffener Riemen aus EPDM
- | Antrieb:
12V Synchronmotor
- | Teller:
Aus 45mm extra dichtem POM
- | Tellerachse:
In "Split-Spindle™" Bauart zur
Einspannung des Plattentellers
- | Vertikallagerung:
Mit 5mm Tungsten Lagerkugel
- | Tonarm:
Gold Note B-7 Ceramic (oder opt. B-5.1)
- | Abdeckhaube:
Transparentes Acryl mit Scharnieren

NETZVERSORGUNG

- | Netzspannungen:
18V Ausgangsleistung, 100-240V / 50-60Hz
- | Leistungsaufnahme:
max 27W

ABMESSUNGEN UND GEWICHT

- Abmessungen:
470mm B | 210mm H | 360mm T
590mm B | 510mm H | 460mm T - verpackt
- Gewicht:
Kg. 20
Kg. 26 - verpackt

AUFBAUHINWEISE

EN

DE

IT

FR

INBETRIEBNAHME

- 1 Bitte entfernen Sie vorsichtig alles Verpackungsmaterial und prüfen den Inhalt auf Vollständigkeit.
- 2 Stellen Sie den Plattenspieler auf eine ebene Unterlage und richten Sie ihn sorgfältig aus.
- 3 Stecken Sie das Gegengewicht auf den Tonarm und kontrollieren Sie die korrekte Auflagekraft Ihres Tonabnehmers.
- 4 Installieren Sie den Antriebsriemen, indem Sie ihn zuerst vorsichtig über die Riemenscheibe und dann außen über den Plattenteller legen.
- 5 Das Niederspannungskabel des Netzgeräts wird mit dem Anschluss am Plattenspieler verbunden, bevor die Stromversorgung ans Netz angeschlossen wird.

AUFSTELLUNG DES PLATTENSPIELERS

Der Plattenspieler ist für den Gebrauch in HiFi-Anlagen ausgelegt. Er muss vor Feuchtigkeit und direkter Sonneneinstrahlung geschützt werden. Der Betrieb in der Nähe von Öfen und anderen Wärmequellen, Elektromotoren und Handys ist zu vermeiden. Wie beschrieben werden die besten klanglichen Eigenschaften nur bei Aufstellung auf einer festen, ebenen Unterlage erreicht.

GESCHWINDIGKEITS-UMSCHALTUNG

Dieser Plattenspieler wird von einer elektronischen Schaltung angesteuert.

- 1 Die innere Taste schaltet die Drehzahl auf $33\frac{1}{3}$ rpm, jeweils Start und Stop. Bei Aktivierung leuchtet die rote LED Anzeige.
- 2 Die äußere Taste schaltet die Drehzahl auf 45rpm, jeweils Start und Stop. Bei Aktivierung leuchtet die rote LED Anzeige.

Der Plattenspieler verfügt darüber hinaus über eine Feineinstellung "Pitch Control" für eine feinfühligere und präzise Anpassung der Drehzahl.

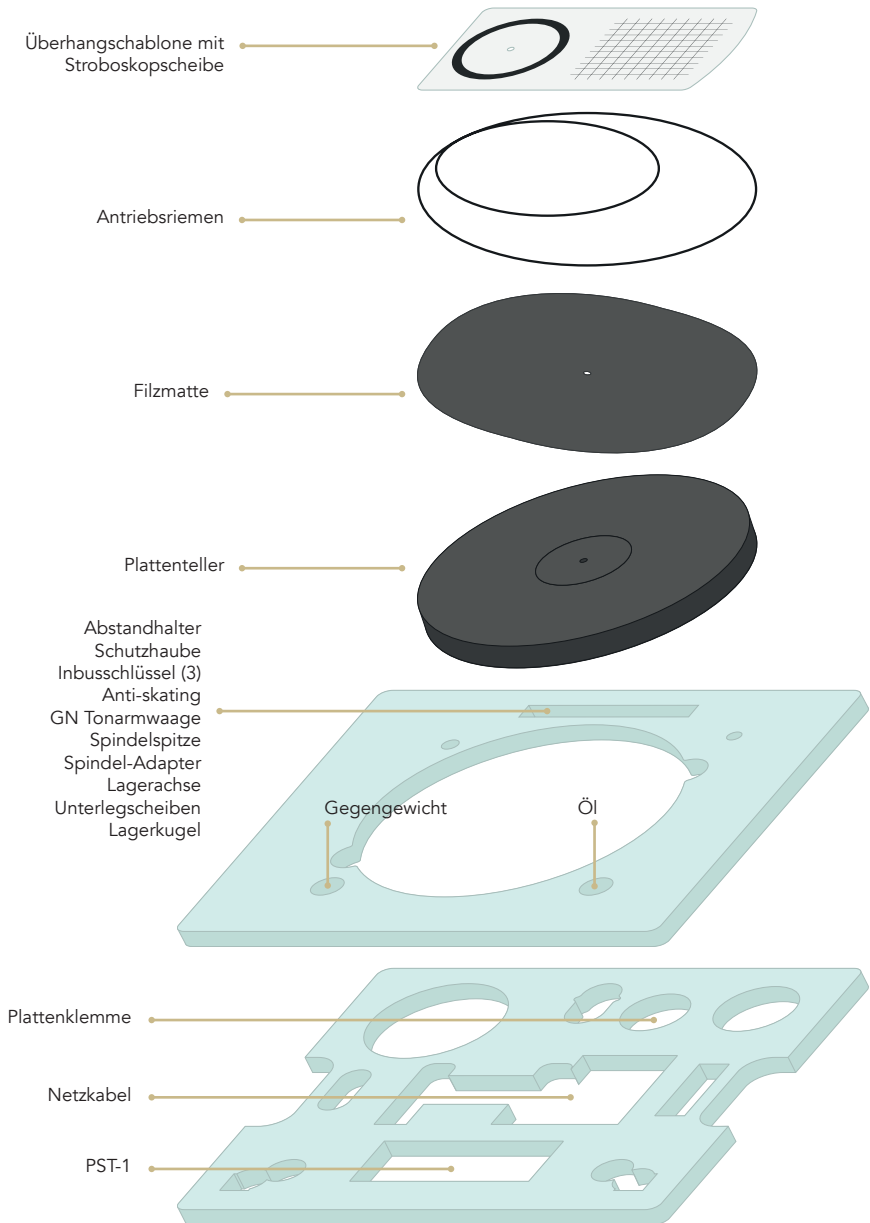
HANDHABUNG DER "PITCH CONTROL"

Bei drehendem Teller werden die Tasten $33\frac{1}{3}$ und 45 gleichzeitig für mehrere Sekunden gedrückt. Sobald die rote LED erlischt, kann die Drehzahl verändert werden.

- | **PITCH -**
Die Taste $33\frac{1}{3}$ rpm solange drücken bis die passende Geschwindigkeit erreicht wird. Die LED blinkt jedes Mal, wenn die Taste gedrückt wird.
- | **PITCH +**
Die Taste 45rpm solange drücken bis die passende Geschwindigkeit erreicht wird. Die LED blinkt jedes Mal, wenn die Taste gedrückt wird.

Um den Modus "Pitch Control" zu verlassen, werden beide Tasten zusammen so lange gedrückt, bis die LED wieder kontinuierlich leuchtet.

| ZUBEHÖR AUSPACKEN



MONTAGE DES PLATTENSPIELERS

EN

DE

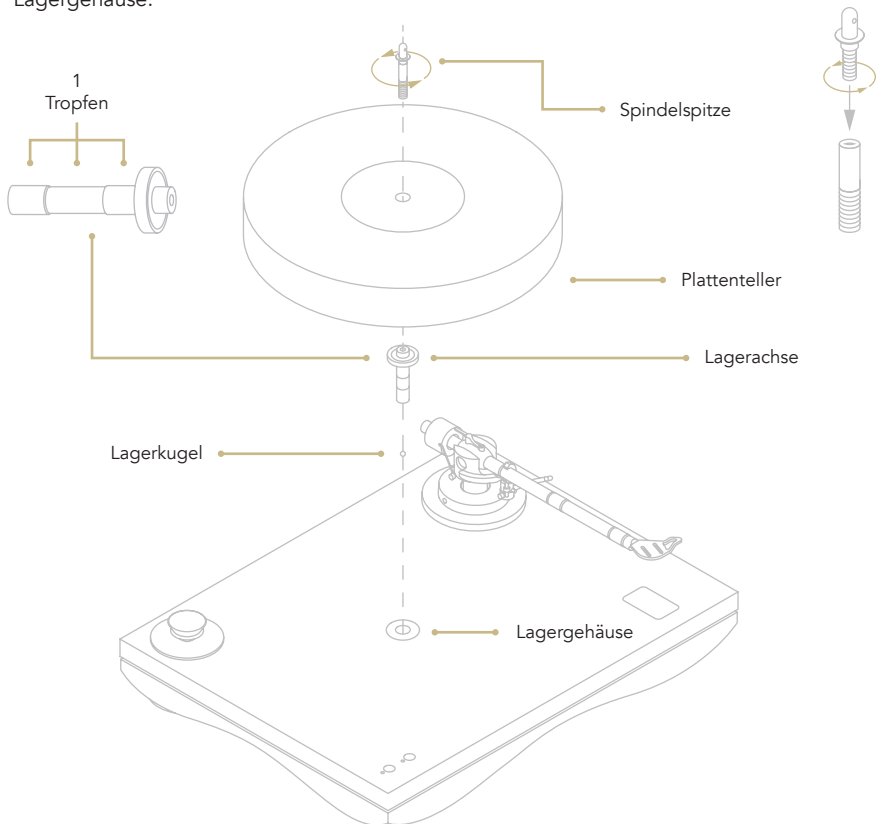
IT

FR

PLATTENTELLER

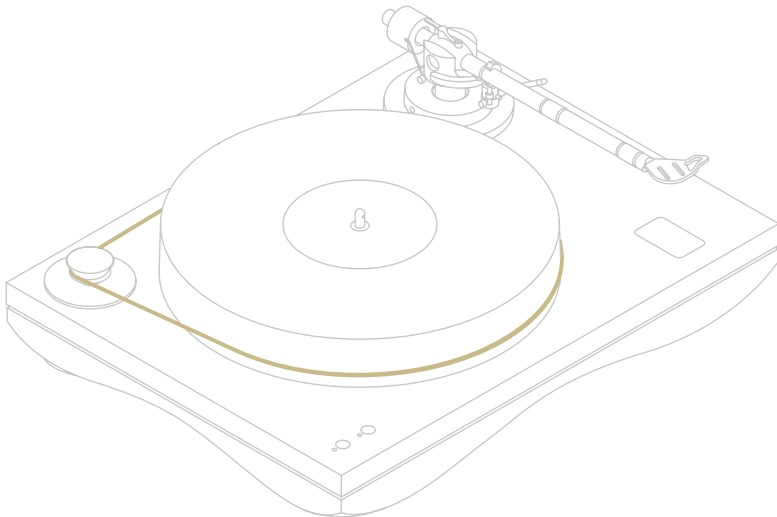
- 1 Entfernen Sie die Kappe in der Mitte des Plattenspielers.
- 2 Die Lagerkugel in das Lagergehäuse einführen und dabei darauf achten, dass sie mittig auf dem Boden sitzt.
- 3 Befeuchten Sie die Lagerachse mit dem Öl wie in der Abbildung unten.
- 4 Setzen Sie die Lagerachse in das Lagergehäuse.
- 5 Legen Sie den Teller auf die Lagerachse.
- 6 Befestigen Sie die Spindelspitze mithilfe des Adapters.

*ACHTUNG: das Lagergehäuse ist bereits im Sockel des Plattenspielers installiert. Bitte nicht entfernen.



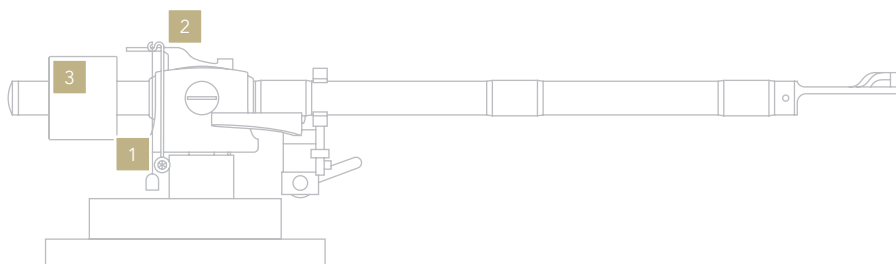
AUFLEGEN DES ANTRIEBSRIEMENS

Der Riemen soll vorsichtig aufgelegt werden und verbindet Antrieb und Teller, wie in der Abbildung gezeigt.



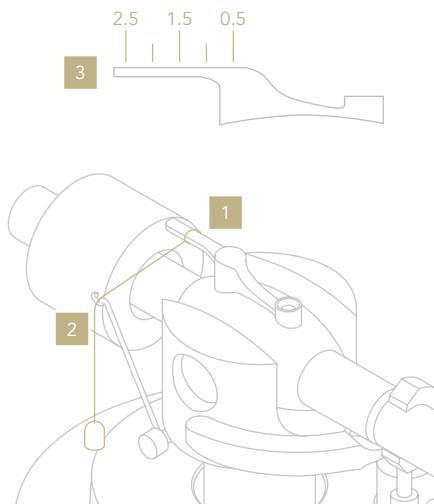
ANTISKATING UND GEGENGEWICHT

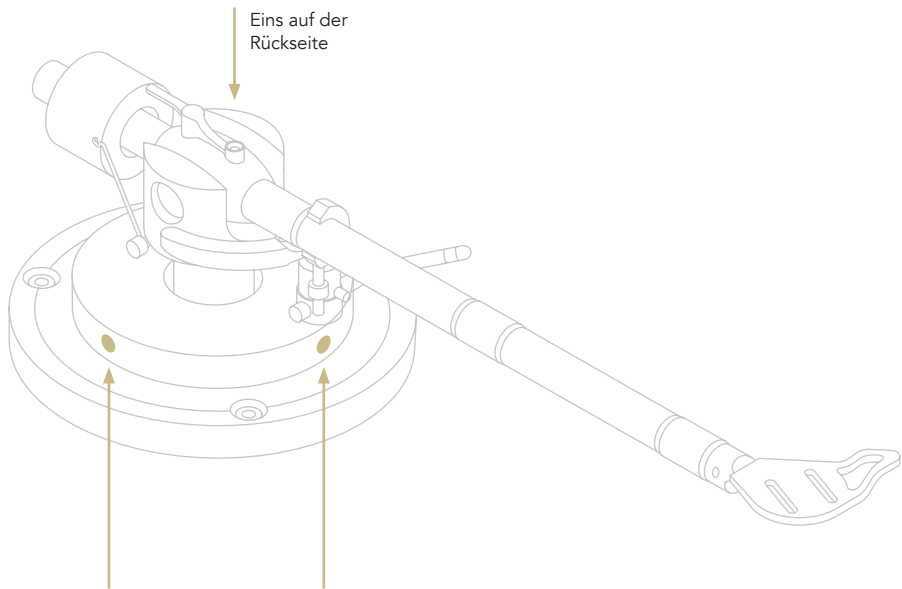
- 1 Anti-skating: Faden mit Gewicht
- 2 Anti-skating: Hebelarm
- 3 Gegengewicht für Tonarm:
Zur Einstellung der korrekten Auflagekraft je nach Tonabnehmer in Gebrauch.



ANTISKATING FADEN ANBRINGEN

- 1 Die Schlaufe des FADENS am HEBELARM einhängen.
- 2 Den Faden in die Öse der AUFHÄNGUNG führen.
- 3 Antiskatingwirkung durch die Position der Schlaufe am HEBELARM justieren.





EINSTELLUNG DER TONARMHÖHE

Zur Anpassung des VTA den mitgelieferten 1,5mm-Inbusschlüssel. Bevor Sie den Tonarm bewegen, die Inbusschrauben in der Armplatte lockern. Wir empfehlen, die Schrauben nacheinander zu lösen (normalerweise reicht eine zum Anpassen des VTA).

NETZANSCHLUSS UND DREHZAHLUMSCHALTUNG

EN

DE

IT

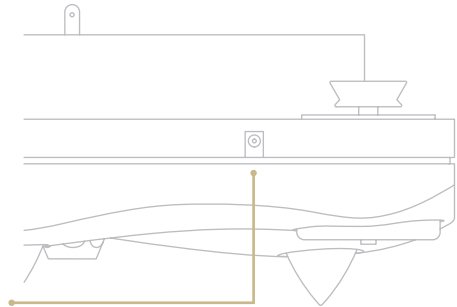
FR

ANSCHLUSS DES NETZTEILS

Bevor Sie das Versorgungsgerät an das Netz anschließen bitte zunächst den Stecker mit dem Anschluss des Plattenspielers verbinden.

BITTE BEACHTEN

Für eine einwandfreie Funktion sollte der Plattenspieler nur mit dem originalen Netzteil verwendet werden.



GESCHWINDIGKEITS-UMSCHALTUNG

33 $\frac{1}{3}$ rpm:

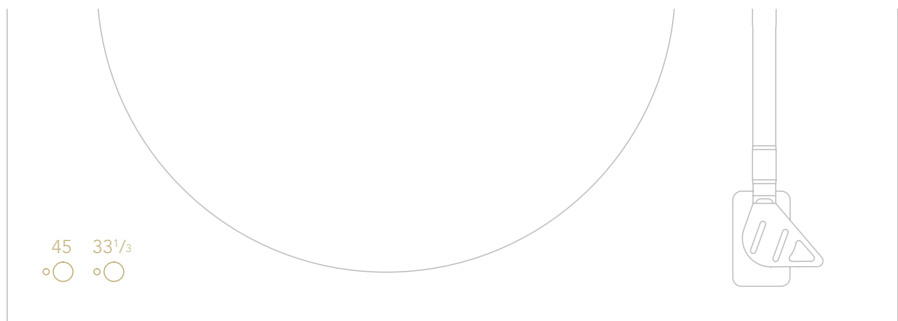
Die innere Taste schaltet die Drehzahl auf 33 $\frac{1}{3}$ rpm, jeweils Start und Stop. Bei Aktivierung leuchtet die rote LED Anzeige.

45rpm:

Die äußere Taste schaltet die Drehzahl auf 45rpm, jeweils Start und Stop. Bei Aktivierung leuchtet die rote LED Anzeige.

PITCH CONTROL MODUS

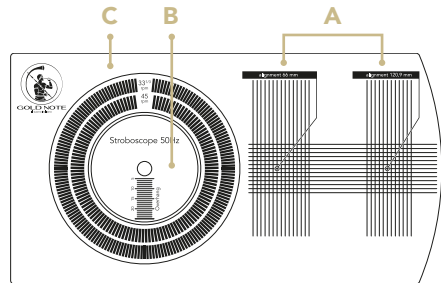
Auf Seite 26 finden Sie eine ausführliche Anleitung zur Feineinstellung der Drehzahlgeschwindigkeit Ihres Plattenspielers.



| AUSRICHTUNG TONABNEHMER

Unsere Plattenspieler und Tonarme werden vor der Auslieferung voreingestellt, aber Sie können anhand der Gold Note Einstellschablone folgendes anpassen:

- A** Orientierung Tonabnehmer.
- B** Überhang.
- C** 45rpm und 33 $\frac{1}{3}$ rpm Drehzahl (Stroboskoplampe nötig).

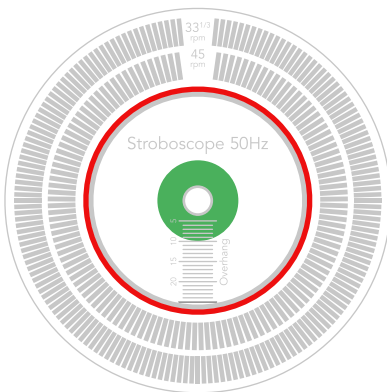


DREHZAHLKONTROLLE

Kontrollieren Sie die Drehzahl mithilfe einer Stroboskoplampe während sich der Plattenteller dreht.

Mit der äußeren Linie wird die 33 $\frac{1}{3}$ rpm geprüft.

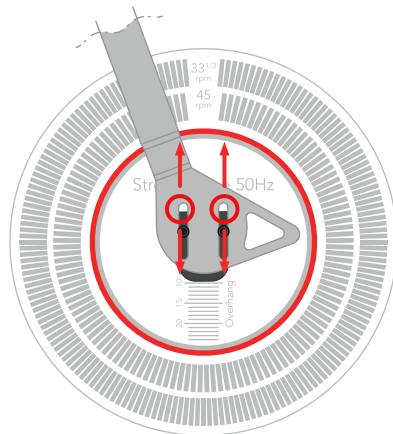
Mit der inneren Linie wird die 45rpm geprüft.



ÜBERHANG

Für die korrekte Ausrichtung des Überhangs mit die Schablone auf die Plattenspitze gelegt werden und die Nadel des Abtasters muss über der Spitze positioniert werden.

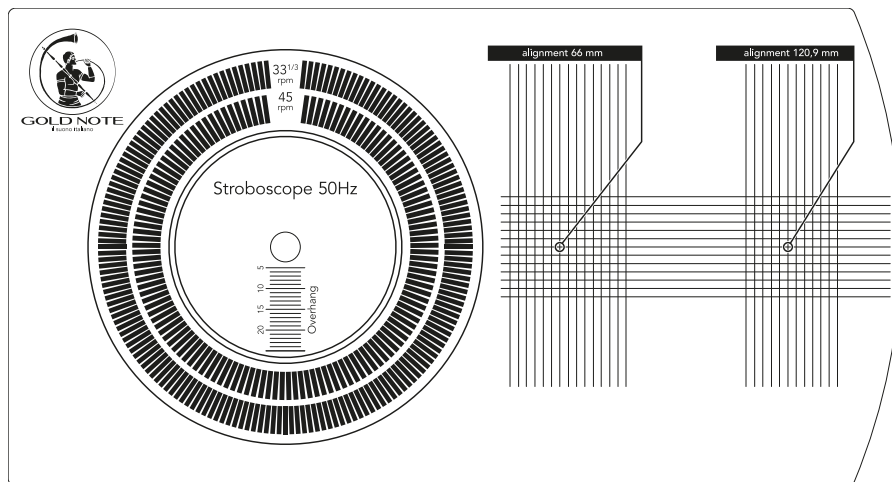
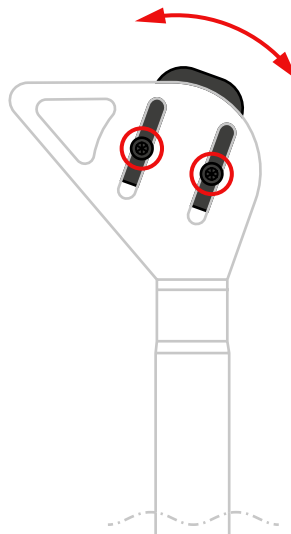
Passen Sie die Position des Tonabnehmers so lange an, bis der empfohlene Überhang erreicht ist, wie es der Hersteller vorgibt.



ORIENTIERUNG TONABNEHMER

Für eine korrekte Einstellung des Abtastwinkels und den bestmöglichen Nadelkontakt mit der Plattenrinne wird die Spitze des Tonabnehmers über den Kreisen ausgerichtet, wie in der unten stehenden Abbildung gezeigt wird.

Der Korpus des Tonabnehmers soll an den vertikalen Hilfslinien ausgerichtet werden.



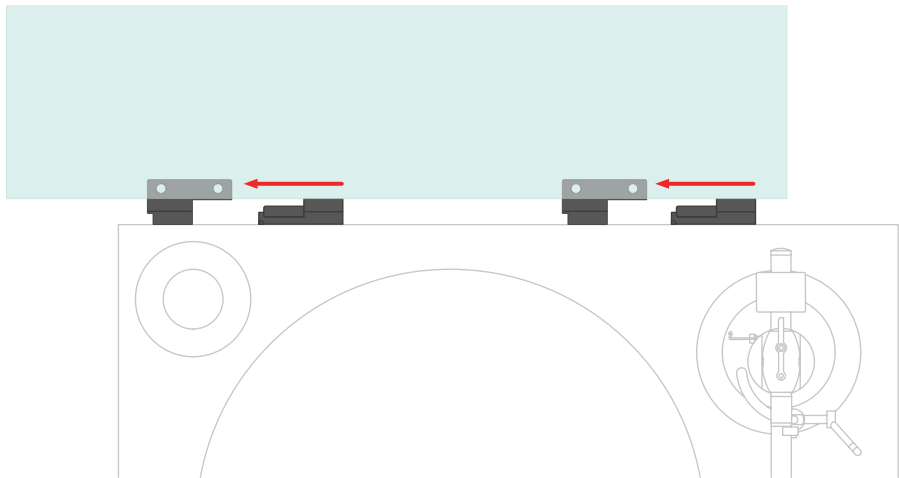
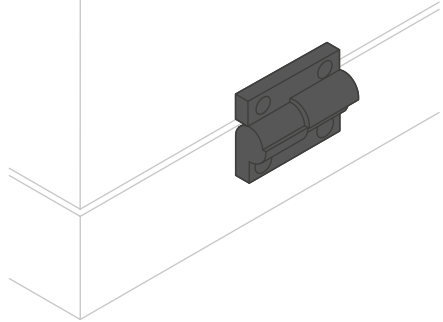
| ABNEHMBARE SCHUTZHAUBE

Die firmeneigene Staubschutzhaube hat als Besonderheit lösbare Scharniere, sodass Sie den Plattenspieler nach Ihren Vorlieben nutzen können.

Die aufgeklappte Haube hält in den Scharnieren bei etwa 90° Öffnung und kann dabei nicht nach hinten kippen.

Die Schutzhaube kann schnell und einfach abgenommen werden: die aufgeklappte Haube vorsichtig seitlich nach LINKS schieben, um sie vom Chassis zu lösen.

Bitte beachten: die Abnahme und das Wiedereinsetzen gelingen nur bei ganz geöffneten Scharnieren, im 90° Winkel.



| PRODUKTREGISTRIERUNG

EN

DE

IT

FR

PRODUKTREGISTRIERUNG

Bitte registrieren Sie das Produkt innerhalb von 15 Tagen nach dem Kauf über das zugehörige Formular auf unserer Webseite: www.goldnote.it/produktregistrierung

Geräte, die nicht einwandfrei registriert oder in einem anderen Land als dem des Käufers erworben worden sind, fallen nicht unter die Gewährleistung und eine Registrierung wird verweigert.

Die Gewährleistung erstreckt sich in keinem Fall auf: Röhren, Tonabnehmer-Nadeln und Batterien.



www.goldnote.it/produktregistrierung

GEWÄHRLEISTUNG

Alle Gold Note Geräte verfügen über eine Gewährleistung bezüglich fehlerhafter Materialien und Verarbeitung. Für Reparaturen und Probleme jeglicher Art wenden Sie sich bitte an den Verkäufer, da jede Art von Wartung und Inspektion vom Gold Note Fachhändler oder Vertrieb ausgeführt werden muss.

HINWEIS

Die Beschreibungen und technischen Angaben können sich jederzeit und ohne Vorankündigung ändern.

WARNUNG

Gold Note Produkte sollten nur von zertifizierten Gold Note Technikern und Fachhändlern geöffnet, gewartet und inspiziert werden. Das Öffnen des Gerätes durch nicht autorisiertes Personal führt zum Erlöschen der Gewährleistung.

| FEHLERBEHEBUNG

PROBLEM	URSACHE	LÖSUNG
Ausrichtung des Plattenspielers.	Der Plattenspieler ist ungünstig aufgestellt.	Richten Sie den Plattenspieler mithilfe einer Wasserwaage aus, indem Sie die Höhe der Füße verstellen. Das Lockern eines Fußes führt zur Erhöhung jener Ecke.
Den Plattenspieler säubern.	Der Plattenspieler ist verstaubt oder muss gesäubert werden.	Vorsichtige Reinigung nur mit weichem, trockenem Baumwolltuch. Scharfe Reinigungsmittel, Alkohol u. ä. und grobe Tücher können die Oberfläche irreversibel beschädigen.
Überhitzung.	Der Motor läuft heiß.	Ein Synchronmotor wie der in diesem Gerät verwendete wird im Betrieb bis zu 50°C warm, das ist normal und kein Grund zur Besorgnis.
Geräusch bei Inbetriebsetzung.	Der Plattenspieler produziert bei Inbetriebsetzung ein leichtes Reibgeräusch.	Es ist normal, dass der Riemen zu Beginn des Antriebs ein leichtes Geräusch abgibt.

| VERWANDTE PRODUKTE

EN

DE

IT

FR

TONABNEHMERSYSTEME

| TUSCANY

Unser bester MC Tonabnehmer, geboren aus 20 Jahren Designerfahrung, verfügt über einen extra-dünnen micro-ridge Diamanten sowie von Hand gewickelte Spulen.

| MACHIAVELLI

Ein Low Output MC Tonabnehmer, der großartige Dynamik und perfekte klangliche Balance bietet. Das ideale Instrument, um die kleinsten Details aus Ihren Schallplatten zu extrahieren.

PHONO-VORSTUFEN

| PH-1000

Der PH-1000 ist ein vollständig analoger Phono-Vorverstärker mit unbegrenzten EQ-Kurven, einer hochwertigen Class-A-Line-Stufe, Kopfhörerausgang und vielem mehr.

NETZTEILE

| PST-10

Das PST-10 ist das externe Netzteil für Gold Note-Plattenspieler. Verbessert die Klangbühne und den Dynamikbereich und liefert noch feinere Details und Realismus.



Entdecken Sie mehr auf unserer Website

www.goldnote.it

EN

DE

IT

FR

*Grazie per aver acquistato una delle nostre
unità e benvenuto nel mondo di Gold Note,
dove trasformiamo l'audio e la musica High-
End in un'esperienza completamente nuova.*

Maurizio Aterini,
fondatore di Gold Note

A handwritten signature in black ink, appearing to read 'Maurizio Aterini', written in a cursive style.

INFORMAZIONI IMPORTANTI SULLA SICUREZZA

NOTA BENE

- 1 Non smontare il prodotto in nessuna parte.
- 2 Non utilizzare i componenti del prodotto per alcun motivo.
- 3 Per assistenza e problemi di ogni genere contatta solamente personale Gold Note qualificato.
- 4 Proteggi il prodotto da pioggia, umidità e tieni distanti le sorgenti di calore, elettriche, motori elettrici ecc. Il cavo di alimentazione in dotazione può essere usato solo su questa unità.
- 5 Gold Note non ha la responsabilità per ogni uso improprio di questa unità.

INFORMAZIONI GENERALI

- | Leggi e conserva le istruzioni.
- | Presta attenzione a tutti gli avvertimenti.
- | Segui tutte le indicazioni.
- | Non utilizzare questa unità vicino all'acqua.
- | Pulisci l'unità solo con un panno asciutto.
- | Non bloccare le fessure di ventilazione ed esegui l'installazione seguendo le procedure indicate dal produttore.
- | Non installare vicino a fonti di calore come termosifoni, termoregolatori, stufe o altri apparecchi (inclusi gli amplificatori) che producono calore.
- | Una spina con messa a terra ha due lame e un terzo polo di messa a terra. La lama larga o il terzo polo sono forniti per la vostra sicurezza. Se la spina fornita non si adatta alla presa, consultare un elettricista per la sostituzione della presa obsoleta.

- | Proteggere il cavo di alimentazione dall'essere calpestato o schiacciato in particolare in corrispondenza di spine, prese di corrente e nel punto in cui escono dall'apparecchio.
- | Utilizzare solo attacchi/accessori specificati dal produttore.
- | Utilizzare solo con carrello, supporto, treppiede, staffa o tavolo specificati dal produttore o venduti con l'apparato. Quando si utilizza un carrello, prestare attenzione quando si sposta la combinazione carrello/apparato per evitare lesioni da ribaltamento.
- | Scollega il prodotto dalla corrente durante i temporali o quando non viene utilizzato per lunghi periodi di tempo.
- | Rivolgerti a personale qualificato ed autorizzato da Gold Note per qualsiasi intervento.
- | La manutenzione è necessaria quando l'apparato è stato danneggiato in qualsiasi modo (ad esempio quando il cavo di alimentazione o la spina sono danneggiati, è stato versato del liquido o sono caduti oggetti nell'apparecchio, l'unità è stata esposta a pioggia o umidità) e comunque quando l'apparecchio non funziona normalmente o è caduto.

Questo apparecchio è identificato da un numero di serie esclusivo posto sul retro.
Si prega di registrare qui il numero di serie e conservare questo documento.

MODELLO

NUMERO DI SERIE



ATTENZIONE!

Non rimuovere parti o aprire l'apparecchio per evitare il rischio di scosse elettriche. In caso di necessità rivolgersi esclusivamente a personale qualificato.

ATTENZIONE!

Pericolo di incendio e scosse elettriche: tenere al riparo da umidità, acqua e altri agenti atmosferici.



GOLD NOTE - Informazioni sulla corretta gestione dei Rifiuti da Apparecchiature Elettriche ed Elettroniche (RAEE) domestiche ai sensi della Direttiva Europea 2012/19/EU

Il simbolo del cassonetto barrato riportato sull'apparecchiatura o sulla sua confezione indica che il prodotto alla fine della propria vita utile deve essere raccolto separatamente dagli altri rifiuti per permetterne un adeguato trattamento e riciclo. L'utente dovrà, pertanto, conferire gratuitamente l'apparecchiatura giunta a fine vita ai punti disponibili per la raccolta differenziata dei rifiuti elettrici ed elettronici – RAEE - oppure riconsegnarla al rivenditore secondo le modalità previste.

L'adeguata raccolta differenziata dell'apparecchiatura dismessa permette una gestione del rifiuto ambientalmente compatibile, quindi contribuisce ad evitare possibili dispersioni di sostanze pericolose, effetti negativi sull'ambiente e sulla salute, favorendo il reimpiego e/o riciclo dei materiali di cui è composta l'apparecchiatura. Lo smaltimento abusivo del prodotto da parte dell'utente comporta l'applicazione delle sanzioni previste dalla corrente normativa di legge. Vi preghiamo di verificare la normativa vigente e le misure adottate dal servizio pubblico operante nel vostro Paese o territorio.

| INDICE

INTRODUZIONE E DESCRIZIONE	45
DESIGN E PERFORMANCE	46
SPECIFICHE TECNICHE	47
PRIMA CONFIGURAZIONE	48
DISIMBALLO	49
ASSEMBLAGGIO	50
CONTROLLO DELLA VELOCITÀ	54
CALIBRAZIONE DELLA TESTINA	55
CAPPA PARA-POLVERE	57
REGISTRAZIONE PRODOTTO	58
RISOLUZIONE PROBLEMI	59
PRODOTTI CORRELATI	60

CONTENUTO DELLA CONFEZIONE

EN

DE

IT

FR

1x

MEDITERRANEO

1x

CAPPA PARA-POLVERE
(con distanziali)

1X

ANTI-
SKATING

2x

CONTRAPPESI

| 110g | 28.5g

1x

CLAMP

1x

ALIMENTATORE 18V
(con cavo)

1x

CINGHIA DI TRASMISSIONE

1x

OLIO PER
GIRADISCHI

1X

BRACCIO
(già installato e calibrato)

1x

TAPPETINO
PER VINILI

3x

CHIAVI A BRUGOLA

| 2.5mm | 2.0mm | 1.5mm

1x

PERNO DEL PIATTO
(con adattatore)

1x

GN STYLUS
GAUGE

1x

PROTRACTOR/OVERHANG E
STROBOSCOPIO

1x

CUSCINETTO A SFERA

3x

SOTTOPUNTA
PER GIRADISCHI

1x

MANUALE
UTENTE

| INTRODUZIONE E DESCRIZIONE

La bellezza e l'innovazione tecnica di Mediterraneo dimostrano l'eleganza e la distinzione italiane, nonché la forte eredità delle sue origini toscane. Qui, la tradizionale enfasi sulla bellezza si combina con la ricerca della perfezione.

Il Mediterraneo dispone di un plinto curvo di 60mm di spessore in Noce italiano. Questo tipo di legno è ben noto per l'eccezionale elasticità, resistenza e alta densità.

La tavola in legno di Noce italiano è finemente lavorata al fine di garantire la massima precisione; è fissata in 18 punti ad una lastra di 3mm di spessore in acciaio inox lucidato. Il giradischi si completa con una tavola in metacrilato spessa 20mm, che contiene al suo interno le schede elettroniche. Il plinto in legno curvato è il risultato di anni di ricerca volti a migliorare la tradizionale forma rettangolare; le curve, oltre a garantire una rigidità extra, conferiscono un design sofisticato e un look esclusivo. Il giradischi poggia su tre piedi regolabili in alluminio, progettati specificamente per il Mediterraneo.

Il Mediterraneo è dotato di un motore sincrono a 12V controllato elettronicamente da un generatore di potenza proprietario basato su un micro-controllore Quadral-Core. Minimizza efficacemente le vibrazioni e fornisce una coppia elevata per la massima dinamica e risoluzione possibili.

L'alimentazione del motore controlla elettronicamente le velocità a $33\frac{1}{3}$ e 45 rpm e la regolazione fine della velocità. La puleggia del motore con design a clessidra e una superficie estremamente levigata, permette alla cinghia di trazione di scorrere in modo omogeneo e fluido riducendo il wow&flutter e il rumore indesiderato.

Il sistema perno/pozzetto del piatto è completamente affogato all'interno della tavola superiore in metacrilato in modo da far ruotare il piatto del giradischi a soli 3mm

dal piano così da ridurre drasticamente le turbolenze d'aria generate dalla rotazione eliminando vibrazione e rumori residui.

Il piatto di 45mm di spessore, è un unico blocco realizzato in POM ad alta densità: uno speciale polimero molto rigido e amorfo in grado di ridurre straordinariamente le vibrazioni; qualità che, unita alla massa elevata, è indispensabile a massimizzare l'inerzia e ottimizzare la stabilità di rotazione.

Il Mediterraneo ridefinisce il concetto di design funzionale per i giradischi tradizionali, esplorando forme e materiali innovativi in modo inedito.

Una nuova esperienza audio ti aspetta, benvenuto nel Suono italiano.

| DESIGN E PERFORMANCE

EN

DE

IT

FR

La performance musicale dei nostri giradischi è il risultato della sinergia di molti componenti. Il Mediterraneo è composto da dettagli raffinati e soluzioni tecniche sviluppati per garantire la perfetta riproduzione dei vinili.

- | Mediterraneo sfrutta una struttura a triplo plinto per garantire elevata rigidità e stabilità grazie alla massa e ai materiali. Il plinto principale realizzato in legno di Noce Italiano o Foglia oro, ha infatti uno spessore di 60mm ed è rinforzato con una lastra di acciaio inox da 3mm e una tavola di metacrilato nero da 20mm di spessore.
- | L'utilizzo di materiali di alta qualità - legno, acciaio inox e metacrilato - per la realizzazione della struttura del Mediterraneo comporta dei vantaggi unici in termini di dissipazione di energia e smorzamento delle vibrazioni, sfruttandone così le caratteristiche uniche.
- | Il plinto inferiore poggia su tre piedi in alluminio regolabili in modo da garantire una maggiore riduzione delle vibrazioni ed isolare il giradischi dall'ambiente circostante, permettendo inoltre di raggiungere la messa in bolla.
- | Contribuisce alla stabilità dell'intera struttura anche il piatto, che ha spessore di 45 mm ed è realizzato in POM ad alta densità, un polimero particolarmente smorzante scelto per raggiungere l'equilibrio perfetto tra massa del piatto, controllo della velocità di rotazione e isolamento.
- | Realizzato in acciaio inox di alta qualità, il perno è lavorato finemente con macchine ad alta precisione per raggiungere tolleranze minime e garantire la speciale forma conica SplitSpindle™ che abbiamo sviluppato appositamente per i nostri giradischi. Le dimensioni del perno, lungo 80mm, assicurano performance elevate ed il design permette al perno di sfruttare

l'olio lubrificante per mantenere fluidità di rotazione. Il design del perno e il rapporto tra perno e pozzetto sono stati messi a punto per distribuire l'energia su tutto il suo asse, annullando completamente qualsiasi tipo di attrito laterale e prevenire oscillazioni.

- | Particolare attenzione è stata dedicata al pozzetto del perno che è incassato nella struttura così da permettere al piatto di minimizzare ogni possibile interferenza dovuta alla turbolenza generata dall'aria interstiziale che potrebbe altrimenti disturbare il regime di rotazione del piatto.
- | Il cuscinetto in bronzo è finemente lavorato e rettificato per raggiungere la massima stabilità di rotazione costante, mentre il cuscinetto inferiore è realizzato su misura per consentire un'ulteriore abbassamento della rumorosità.
- | Il cuscinetto del piatto presenta una filettatura esterna per consentire un accoppiamento estremamente preciso.
- | I nostri ingegneri hanno sviluppato il motore da 12V gestito da un micro-controllore, che permette il controllo elettronico finr della velocità a $33\frac{1}{3}$ e 45 rpm. Questo motore speciale garantisce un bilanciamento perfetto tra potenza e coppia motrice erogata, per raggiungere la stabilità di rotazione nel più completo silenzio.

| SPECIFICHE TECNICHE

CARATTERISTICHE PRINCIPALI

- | Wow & flutter:
0,1%
- | Rumble:
-80db
- | Velocità:
33 $\frac{1}{3}$ rpm e 45 rpm \pm 0,1%
- | Cambio velocità:
Elettronico con regolazione fine della velocità
- | Trasmissione:
A cinghia in EPDM rettificata
- | Motore:
12V high torque sincrono
- | Piatto:
45mm in POM ad alta densità
- | Perno del piatto:
Split-spindle™
- | Pozzetto del piatto:
Sfera di 5 mm in tungsteno
- | Braccio:
Gold Note B-7 Ceramic (B-5.1 opzionale)
- | Cappa para-polvere:
Acrilico trasparente e rimovibile

ALIMENTAZIONE

- | Alimentazione:
18V in uscita, 100-240V / 50-60Hz
- | Assorbimento nominale:
27W massimo

DIMENSIONI E PESO

- Dimensioni:
470mm L | 210mm A | 360mm P
590mm L | 510mm A | 460mm P - imballato
- Peso:
Kg. 20
Kg. 26 - imballato

| PRIMA CONFIGURAZIONE

EN

DE

IT

FR

OPERAZIONI INIZIALI

- 1 Rimuovere con attenzione gli imballi avendo cura di controllare che sia presente quanto elencato nei contenuti della confezione.
- 2 Collocare il plinto su di una superficie piana e livellare il giradischi.
- 3 Montare il contrappeso sulla parte posteriore del braccio e posizionarlo per ottenere il peso di tracciamento consigliato per la testina utilizzata.
- 4 Posizionare la cinghia di trasmissione intorno alla puleggia e successivamente al perimetro esterno del piatto.
- 5 Collegare il cavo di alimentazione al giradischi poi alla presa AC a parete.

POSIZIONARE IL GIRADISCHI

Il vostro giradischi è stato progettato per l'impianto Hi-Fi domestico e deve essere protetto da fonti dirette di luce e umidità. Non posizionare il giradischi vicino a fonti di calore, motori, apparati elettrici ed elettronici, etc. Per godere della migliore resa audio è necessario assicurarsi che il giradischi sia perfettamente livellato e si trovi su di una superficie piana.

CONTROLLO DELLA VELOCITÀ

Il giradischi è controllato da un'alimentazione elettronica precisa e sofisticata.

- 1 33 $\frac{1}{3}$ rpm avvia e ferma la velocità di riproduzione a 33 $\frac{1}{3}$ rpm. Il corrispondente LED si accende durante la riproduzione.
- 2 45rpm avvia e ferma la velocità di riproduzione a 45rpm. Il corrispondente LED si accende durante la riproduzione.

Il giradischi è dotato anche di una regolazione fine della velocità "Pitch Control" che permette di ottenere una precisa calibrazione della velocità.

PITCH CONTROL

Per regolare la velocità premere e tenere premuti i tasti 33 $\frac{1}{3}$ rpm e 45rpm mentre una delle velocità è attiva fin quando il LED si spegne.

| PITCH -

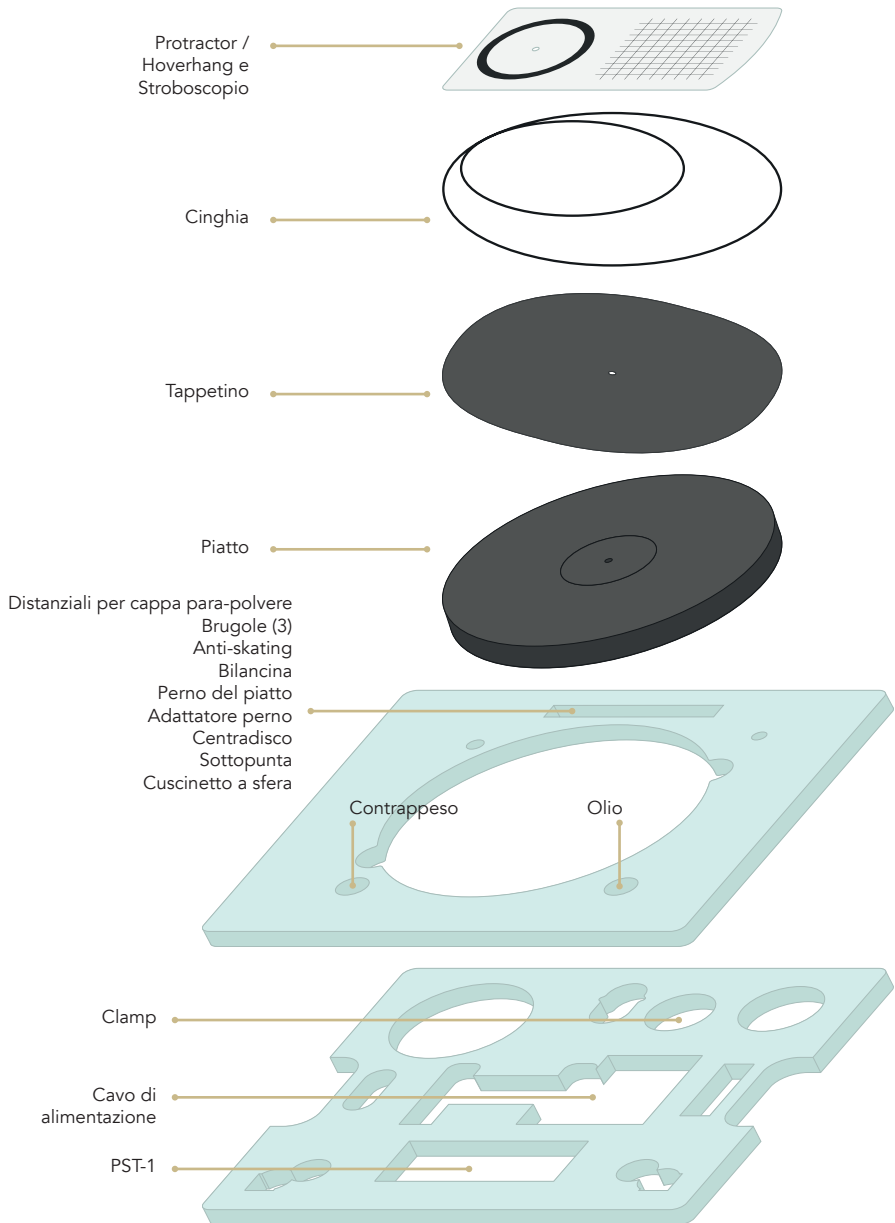
Premere ripetutamente il tasto 33 $\frac{1}{3}$ rpm fino al raggiungimento della velocità desiderata.

| PITCH +

Premere ripetutamente il tasto 45rpm fino al raggiungimento della velocità desiderata.

Per uscire dalla modalità di controllo del PITCH premere e tenere premuti per 4 secondi i tasti 33 $\frac{1}{3}$ rpm e 45rpm fino a quando il LED è nuovamente acceso e fisso.

| DISIMBALLO



| ASSEMBLAGGIO

EN

DE

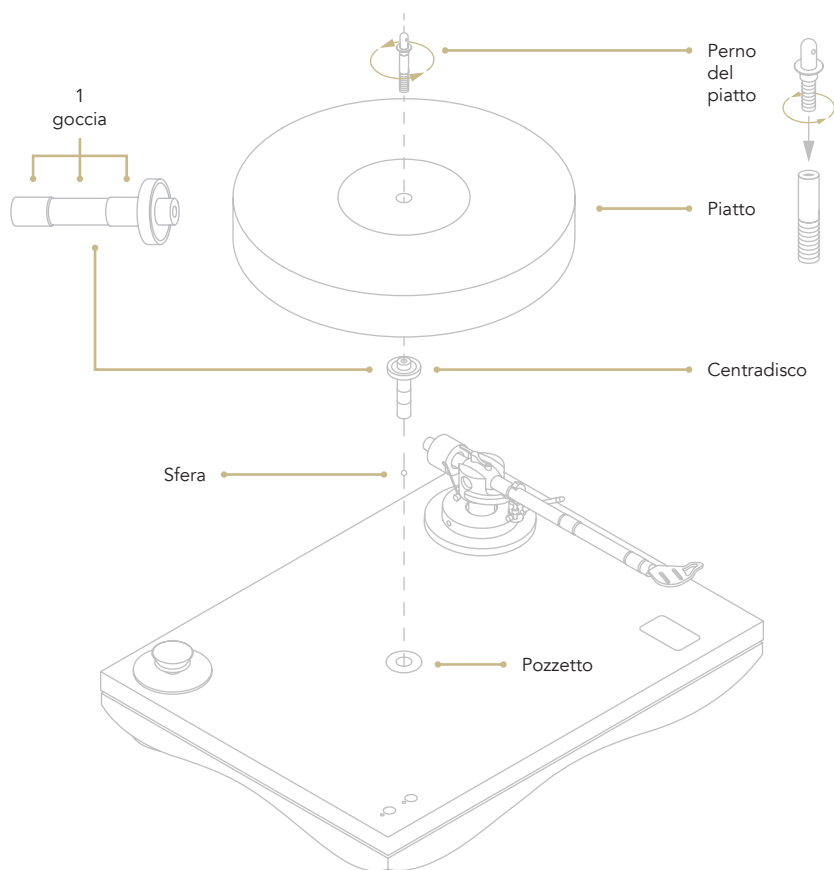
IT

FR

PIATTO

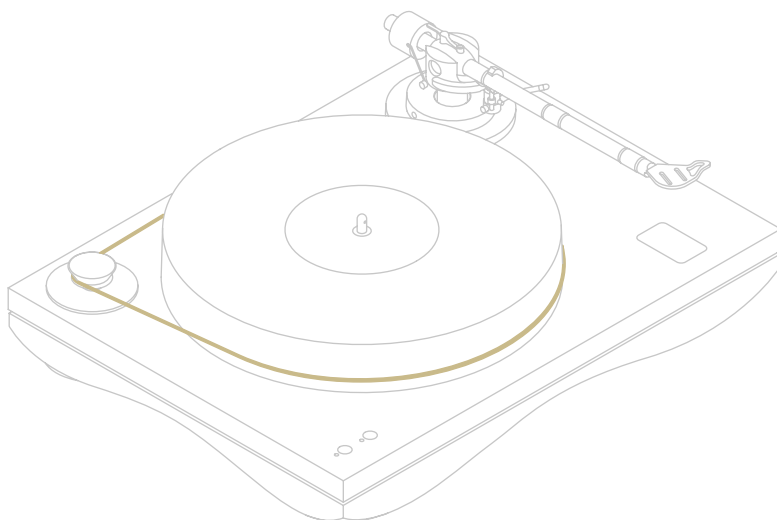
- 1 Rimuovere il tappo dal centro del giradischi.
- 2 Inserire la sfera nel pozzetto del giradischi assicurandosi che si posizioni al centro.
- 3 Oliare il centradisco come indicato in figura.
- 4 Inserire il centradisco nel pozzetto.
- 5 Posizionare il piatto sul centradisco.
- 6 Avvitare il perno del piatto sulla parte superiore per assicurare il piatto al giradischi.

*NOTA BENE: il pozzetto è già installato sul giradischi, non rimuoverlo.



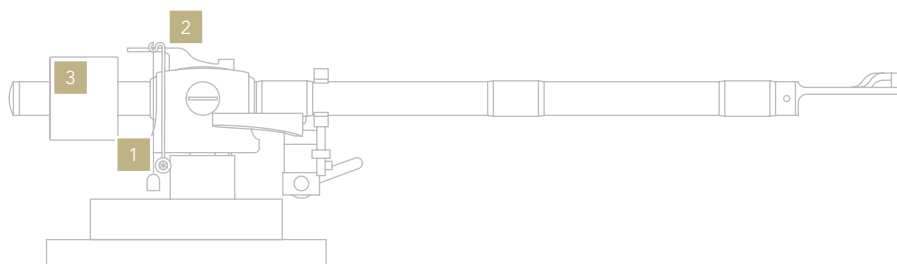
CINGHIA

Installare la cinghia di trasmissione facendola scorrere intorno al perimetro esterno della puleggia e successivamente al piatto, come mostrato in figura.



ANTI-SKATING E CONTRAPPESI

- 1 Anti-skating: Filo in nylon con contrappeso.
- 2 Anti-skating: Barra di regolazione.
- 3 Contrappeso del braccio: Regolabile per aggiustare il peso di tracciamento della testina.

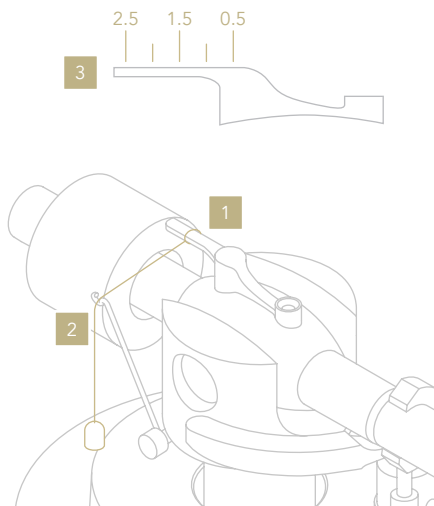


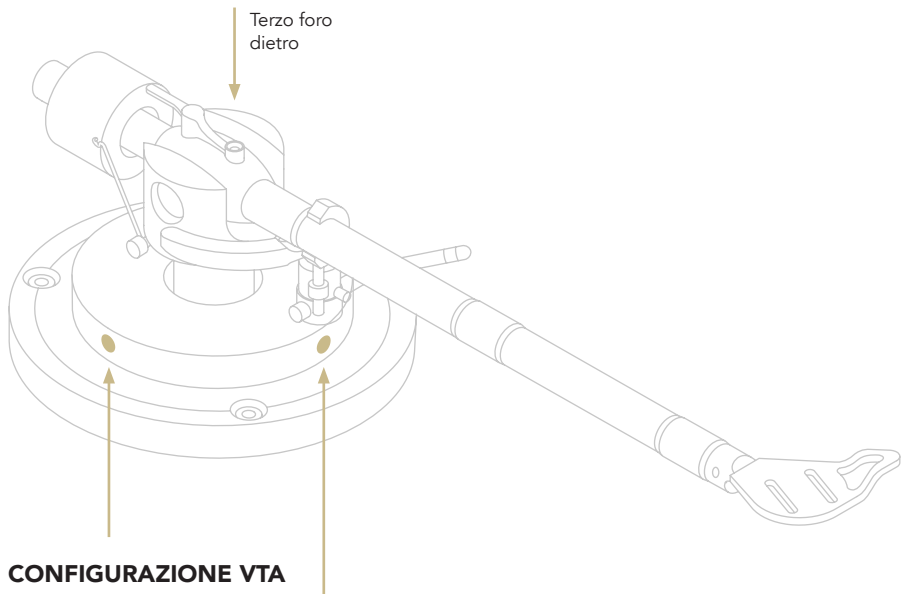
REGOLAZIONE DELL'ANTI-SKATING

Passare l'occhiello del filo dell'Anti-skating sulla barra di regolazione adagiandolo in uno dei 5 solchi.

Inserire il filo dell'Anti-skating nell'anello di supporto così che il contrappeso applichi tensione al filo.

Regolare l'intensità dell'Anti-skating scegliendo il solco adeguato (fare riferimento alla figura sotto).





Per regolare il VTA utilizzare la chiave a brugola da 1,5mm. Prima di muovere il braccio è necessario allentare i bulloni sulla base del braccio. Consigliamo di allentarli uno alla volta (spesso è sufficiente allentarne uno solo per regolare il VTA).

| CONTROLLO DELLA VELOCITÀ

EN

DE

IT

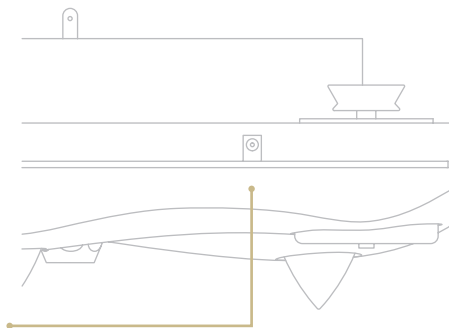
FR

CONNETTERE L'ALIMENTAZIONE

Assicurarsi di aver connesso l'alimentatore al giradischi prima di connetterlo alla presa AC.

NOTA BENE

Usare esclusivamente l'alimentatore originale per garantire il corretto funzionamento del giradischi.



CONTROLLO DELLA VELOCITÀ

33 $\frac{1}{3}$ rpm:

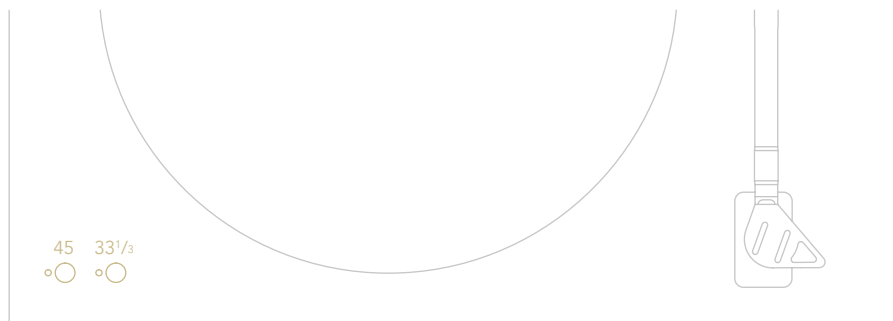
Avvia e ferma la riproduzione a 33 $\frac{1}{3}$ rpm.
Il LED è acceso quando la velocità è in uso.

45rpm:

Avvia e ferma la riproduzione a 45rpm.
Il LED è acceso quando la velocità è in uso.

PITCH CONTROL

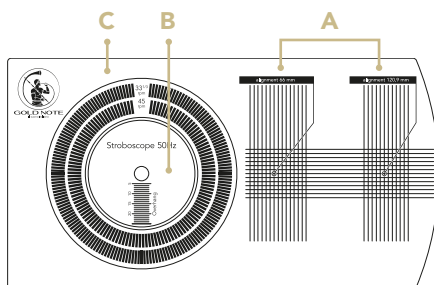
Per le istruzioni su come effettuare la regolazione precisa della velocità "Pitch Control" vedere pagina 48.



| CALIBRAZIONE DELLA TESTINA

I nostri giradischi e bracci vengono sempre pre-calibrati in fabbrica, ma è possibile usare l'apposito strumento per regolare:

- A** Allineamento della testina phono.
- B** Overhang.
- C** Pitch (è richiesta una luce strobo)

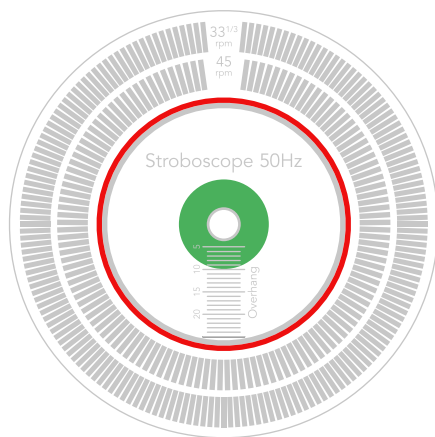


REGOLAZIONE DELLA VELOCITÀ

È possibile controllare il PITCH con l'aiuto di una luce strobo mentre il piatto sta girando.

Per la velocità a $33\frac{1}{3}$ rpm fare riferimento alla linea esterna.

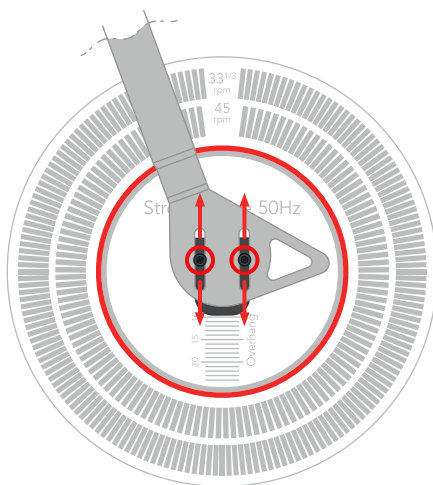
Per la velocità a 45rpm fare riferimento alla linea interna.



OVERHANG

Per impostare correttamente l'Overhang è necessario che lo strumento di calibrazione sia inserito sul perno del piatto e che la punta della testina sia esattamente sopra al centro del perno.

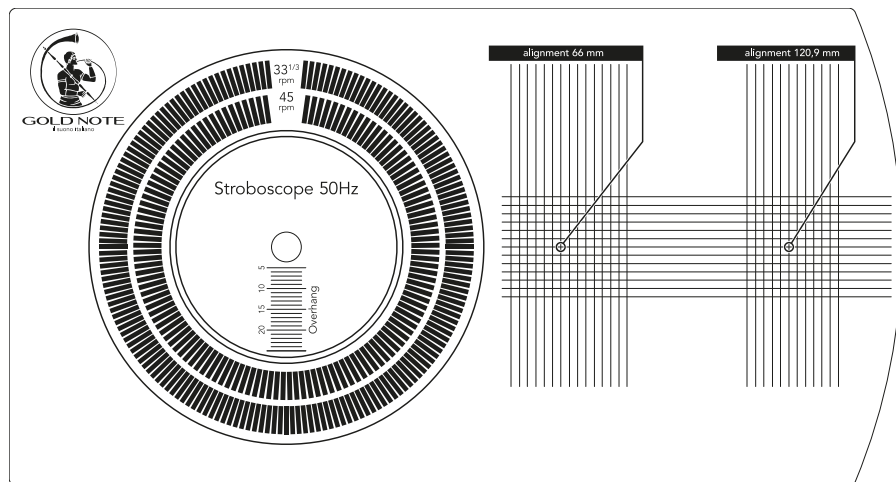
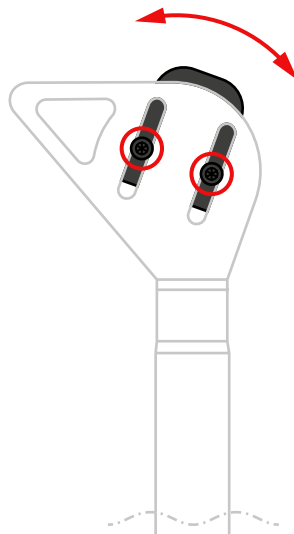
Aggiustare la posizione della testina seguendo le indicazioni fornite dal produttore per ottenere la migliore resa audio.



ALLINEAMENTO DELLA TESTINA

Per allineare correttamente la testina ed ottenere il miglior tracciamento possibile è necessario posizionare la punta della testina al centro delle aree delimitate dai due cerchi in figura qui sotto.

Il corpo della testina deve essere allineato con le linee verticali della griglia.



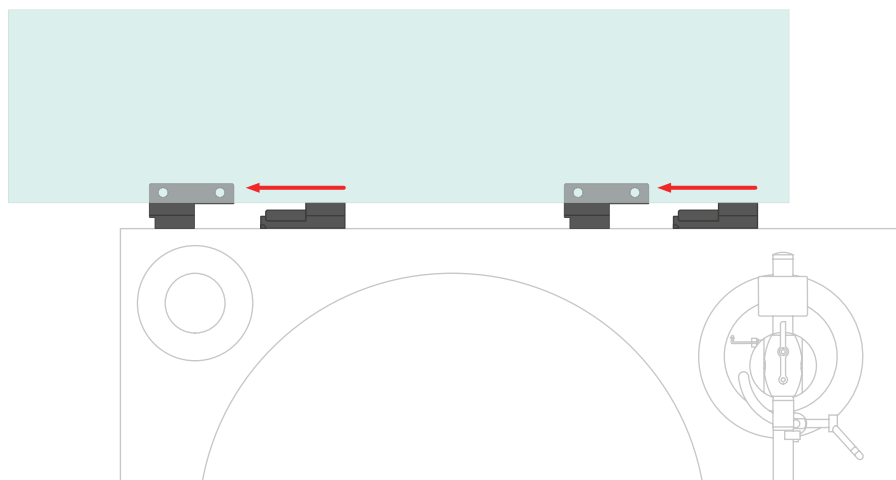
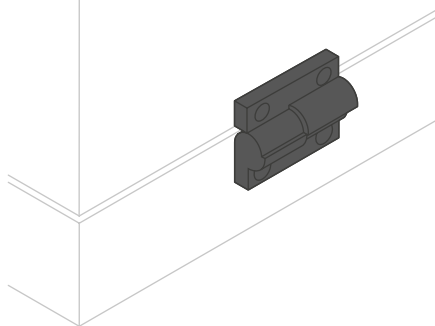
| CAPPA PARA-POLVERE

La cappa para-polvere è dotata di cerniere scomponibili, un design proprietario sviluppato per offrire la miglior esperienza.

Le cerniere hanno un punto di stop a 90° e può quindi essere lasciata aperta.

Per rimuovere la cappa para-polvere è sufficiente aprirla fin quando non si raggiunge il punto di stop a 90° e sfilarla poi delicatamente facendola scivolare verso SINISTRA ed avendo cura di tenere fermo il giradischi.

Nota bene: la rimozione e l'inserimento della cappa sono possibili solamente quando questa è posizionata in verticale.



| REGISTRAZIONE PRODOTTO

EN

DE

IT

FR

REGISTRAZIONE PRODOTTO

Si prega di registrare il prodotto tramite l'apposito form sul nostro sito entro e non oltre 15 giorni dall'acquisto:

www.goldnote.it/registrazione-prodotto

In caso il prodotto non venga registrato correttamente tramite l'apposito form o sia stato acquistato in un paese diverso da quello di residenza del possessore, la garanzia sarà automaticamente invalidata e la registrazione del prodotto rifiutata.

La garanzia non copre in nessun caso le seguenti parti: valvole, puntina stilo delle testine fonografiche e batterie.



www.goldnote.it/registrazione-prodotto

GARANZIA

Tutti i prodotti Gold Note sono coperti da garanzia in caso di malfunzionamento o difetti di produzione.

Le operazioni di assistenza su prodotti in garanzia devono essere condotte da rivenditori e tecnici qualificati Gold Note, in caso di problemi si prega pertanto di rivolgersi al proprio rivenditore.

NOTA BENE

Le descrizioni, immagini e caratteristiche tecniche qui descritte possono variare in ogni momento senza preavviso.

ATTENZIONE

I prodotti Gold Note devono essere ispezionati, controllati e disassemblati solo da tecnici e rivenditori qualificati. In caso di intervento eseguito da personale non autorizzato, la garanzia sarà ritenuta invalidata.

In questo caso, contattare il proprio rivenditore per essere informato su come risolvere il problema.

| RISOLUZIONE PROBLEMI

PROBLEMA	CAUSA	SOLUZIONE
Livellamento del giradischi.	Il giradischi non è livellato.	Con una livella a bolla, livellare il piatto del giradischi avvitando o svitando i piedi. Svitando un piede si va ad aumentare l'altezza.
Pulire il giradischi.	Il giradischi è sporco e deve essere pulito.	Per eliminare polvere e macchie, utilizzare con estrema attenzione un panno 100% cotone molto morbido. Qualsiasi acido, alcol o panno non estremamente morbido danneggia irreversibilmente l'estetica del giradischi. Utilizzare SOLO panni asciutti.
Riscaldamento del motore.	Il motore è troppo caldo.	I motori AC sincroni come quelli utilizzati da Gold Note possono riscaldarsi fino a 50 ° Celsius senza creare alcun problema.
Rumore all'avvio.	Il giradischi produce un lieve rumore di sfregamento all'avvio.	È normale per la cinghia di trasmissione produca un lieve rumore all'avvio.

| PRODOTTI CORRELATI

EN

DE

IT

FR

TESTINE

TUSCANY

La nostra miglior testina MC, risultato di oltre 20 anni di esperienza, con uno stilo ultra sottile Micro Ridge e bobine avvolte a mano.

MACHIAVELLI

Testina MC a bassa uscita che offre grande dinamica e perfetto bilanciamento tonale, ideale per estrarre i più piccoli dettagli dal vinile.

PRE PHONO

PH-1000

Il PH-1000 è un preamplificatore phono completamente analogico con illimitate Curve EQ, uno stadio di linea di Classe-A di alta qualità, uscita per cuffie e molto altro ancora. Tutto controllato tramite il display intuitivo e la tecnologia SKC (Single Knob Control).

ALIMENTAZIONI

PST-10

Alimentazione esterna dedicata ai giradischi Gold Note. Design con filtro induttivo per realismo e dinamica superiori. Il massimo in termini di prestazioni e musicalità.



Scopri di più sul nostro sito
www.goldnote.it

MANUEL D'UTILISATION EN FRANÇAIS



Scannez le QR-Code
ou rendez-vous sur

[https://www.goldnote.it/
download/manual/FR_
MEDITERRANEO.pdf](https://www.goldnote.it/download/manual/FR_MEDITERRANEO.pdf)



Designed and handmade in Firenze, Italy
www.goldnote.it
copyright ©2022 Akamai S.r.l. All rights reserved