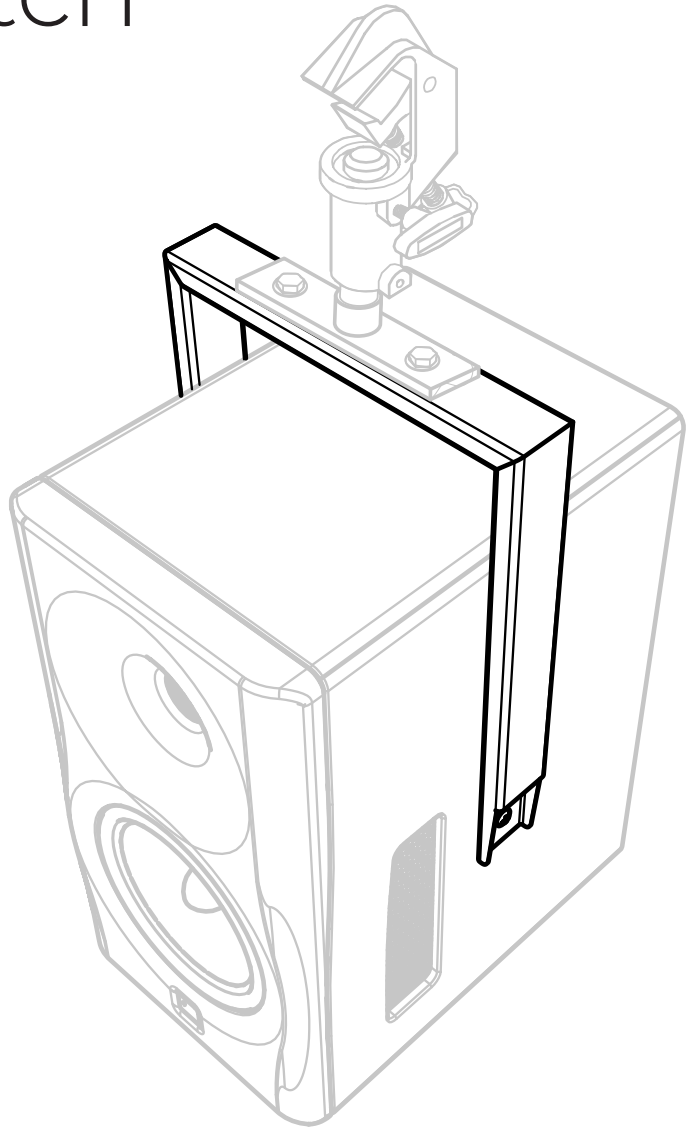

Dutch & Dutch 8c studio.

Installation manual
8c studio U-bracket
2020 V1.0



DUTCH & DUTCH



General

This is the installation manual of the Dutch & Dutch 8c studio U-bracket. Use this manual as a guide to correctly assemble the U-bracket on the 8c studio. We recommend to store this manual for later reference if needed.

Copyright

This document is protected by the Copyright Act, which covers reproduction in any form is strictly prohibited, except with the written permission of Dutch & Dutch B.V. The contents of this document are subject to change without notice. All technical information in this document is for reference purposes only. The illustrations in this manual may differ from the actual module and set-up. All drawings and diagrams are for illustrative purposes only. All information subject to misprinting errors and technical modifications.

© 2020 Dutch & Dutch B.V.

Claes de Vrieselaan 164

3021 JZ Rotterdam

The Netherlands

+31 (0)10 737 0863

www.dutchdutch.com



General safety

The U-bracket has been specially designed for the 8c studio.
Do not use it for other types of speakers.

The 8c studio has a self weight of 23 kg and the U-bracket has a self weight of 4 kg.
Always make sure that the 8c studio is standing on a flat and leveled surface that can hold the total weight while mounting the U-bracket. Installation and setup should only be carried out by qualified and authorized personnel who comply with national safety regulations.

It is the responsibility of the person installing the 8c studio to ensure that the suspension/fixing points are suitable for the intended use. Always carry out a visual and functional inspection of the items before use. In case you have any doubt as to the proper functioning and safety of the items, these must be withdrawn from use immediately.



Warning signs

This manual contains warning signs and notices for your safety. Please take notice of these signs and act accordingly. When in doubt about how to proceed with the assembly, contact your dealer or distributor.



General warning sign

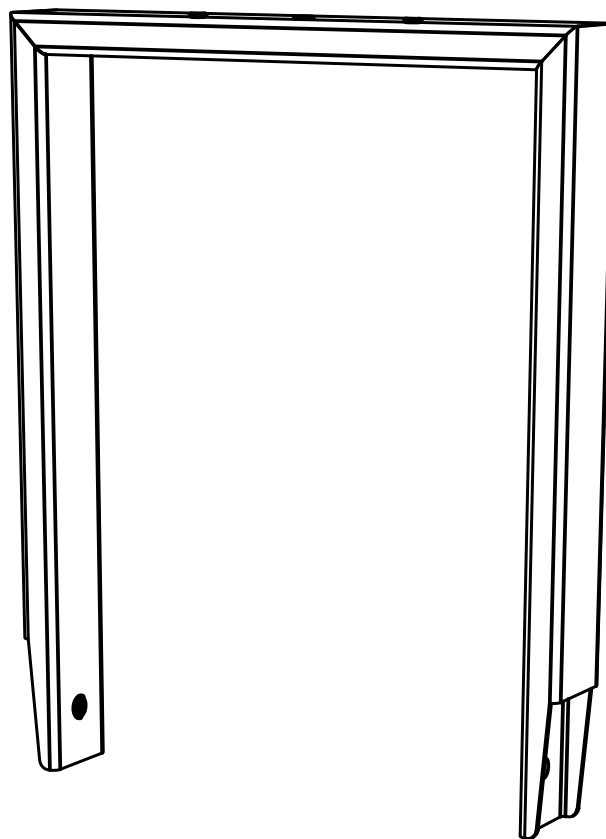


Notice sign

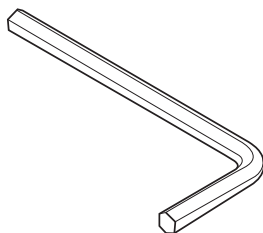
Parts checklist

This package contains all components and tools needed to mount the U-bracket on the 8c studio. Verify that all components are there and free from damage. When there are signs of damage or missing parts please contact your dealer or distributor.

1x U-bracket



1x 5 mm





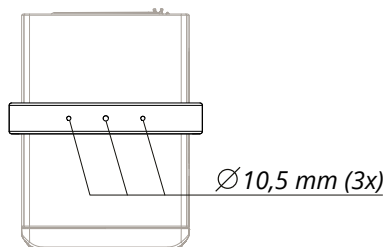
Technical Specifications

8c studio U-bracket dimensions

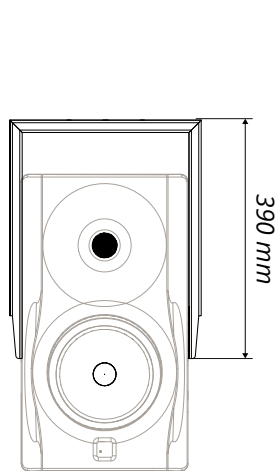
(HxWxD) 390 x 315 x 55 MM (15 1/2" x 12 1/2" x 2 1/8")

8c studio U-bracket weight

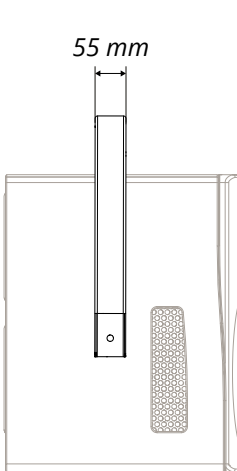
4 kg



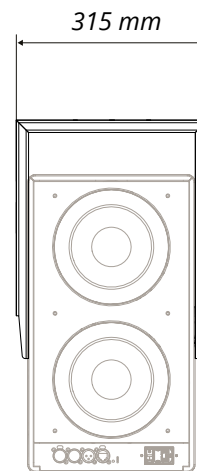
Top view



Front view



Side view



Back view

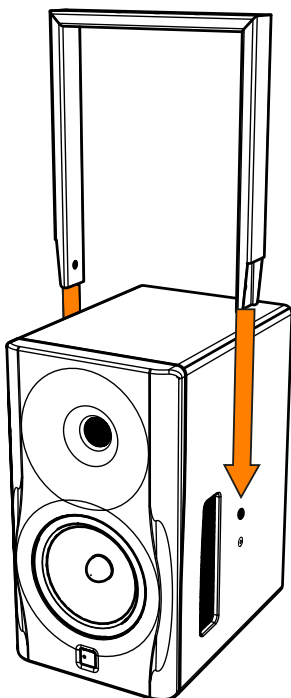
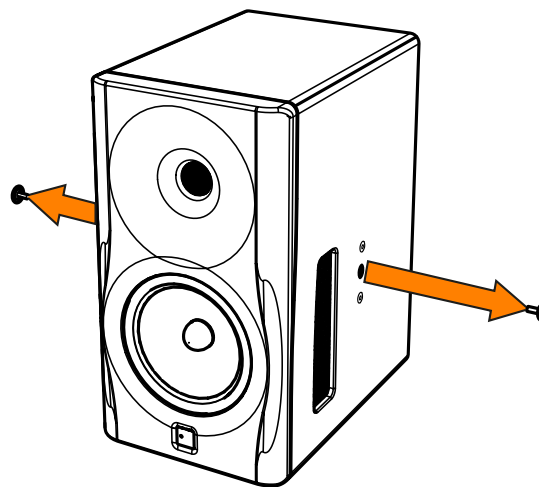


Step 1

Make sure the 8c studio is on a flat surface.
Remove the 2 bolts and rubber washers in the middle using the allen key.



Do not remove the other bolts.



Step 2

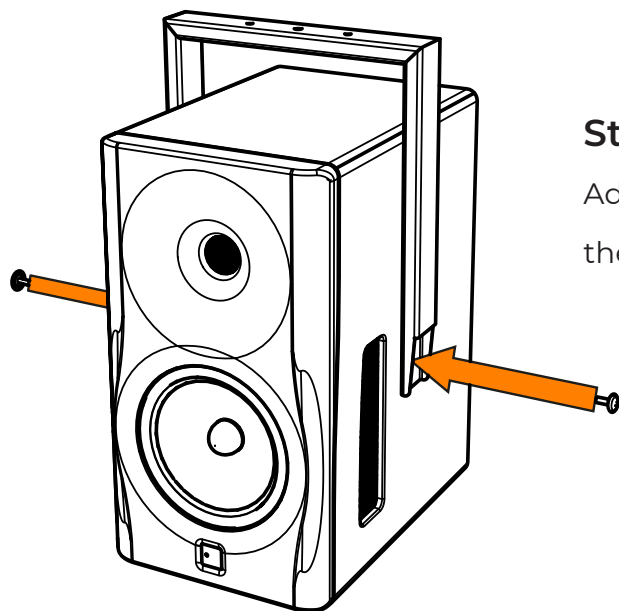
Mount the U-bracket on the 8c studio.



There is a risk of pinching, cutting or wounding during the assembly.

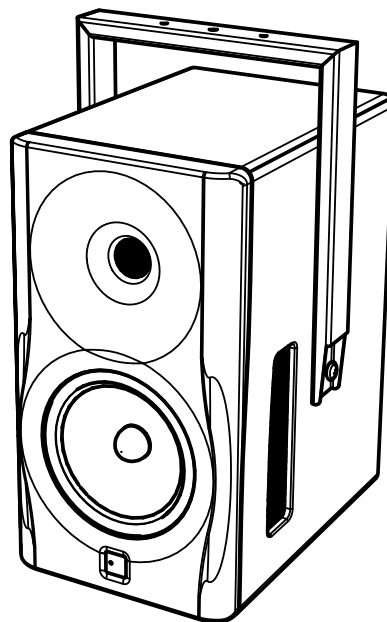


Be careful not to damage the coating.



Step 3

Add the 2 bolts on the 8c studio and tighten them sufficiently.





Example of a possible setup

You can optionally attach a TV spigot with fixing plate to the 8c studio U-bracket which can be mounted to a telescopic lighting support.

Step 1

Bolt the TV spigot directly to the U-bracket. Use two m8 x 40 bolts, nuts, spring and plain washers.



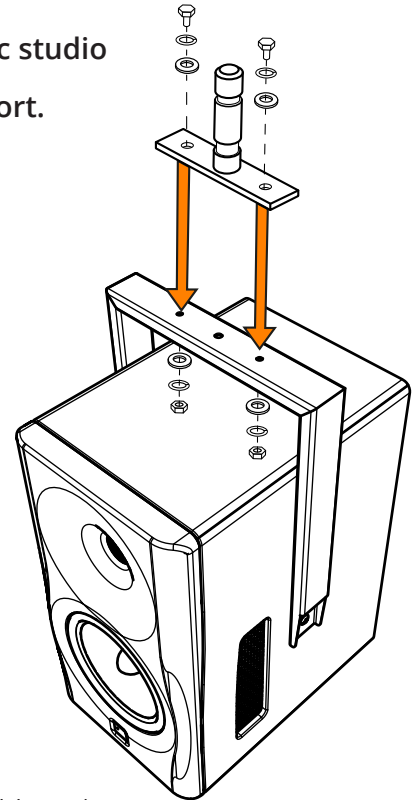
Additional accessoires shown in this example are not supplied with this package.



Always check the maximum permitted safe working load (SWL) for the additional accessories. Avoid any type of shear failure.



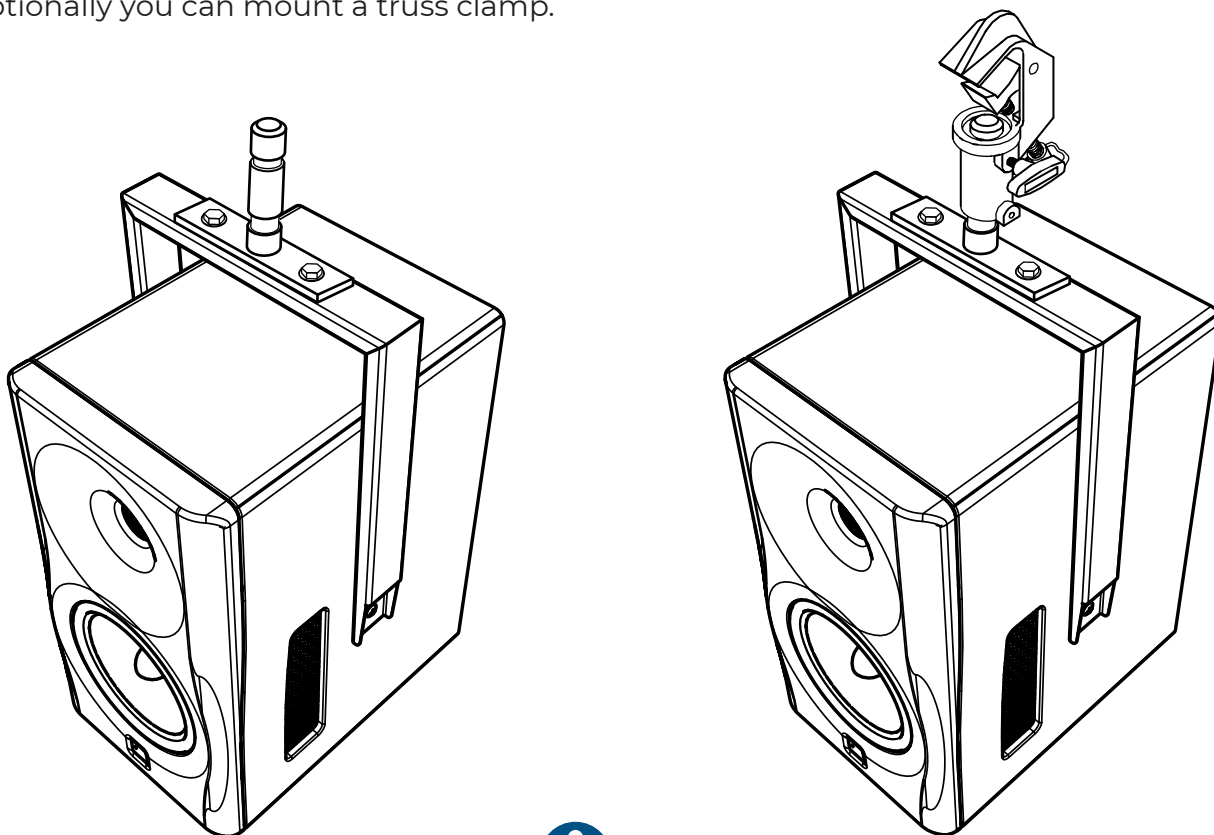
There is a risk of pinching, cutting or wounding during the assembly.





Step 2

Optionally you can mount a truss clamp.



The truss clamp is not supplied with this package.

Step 3

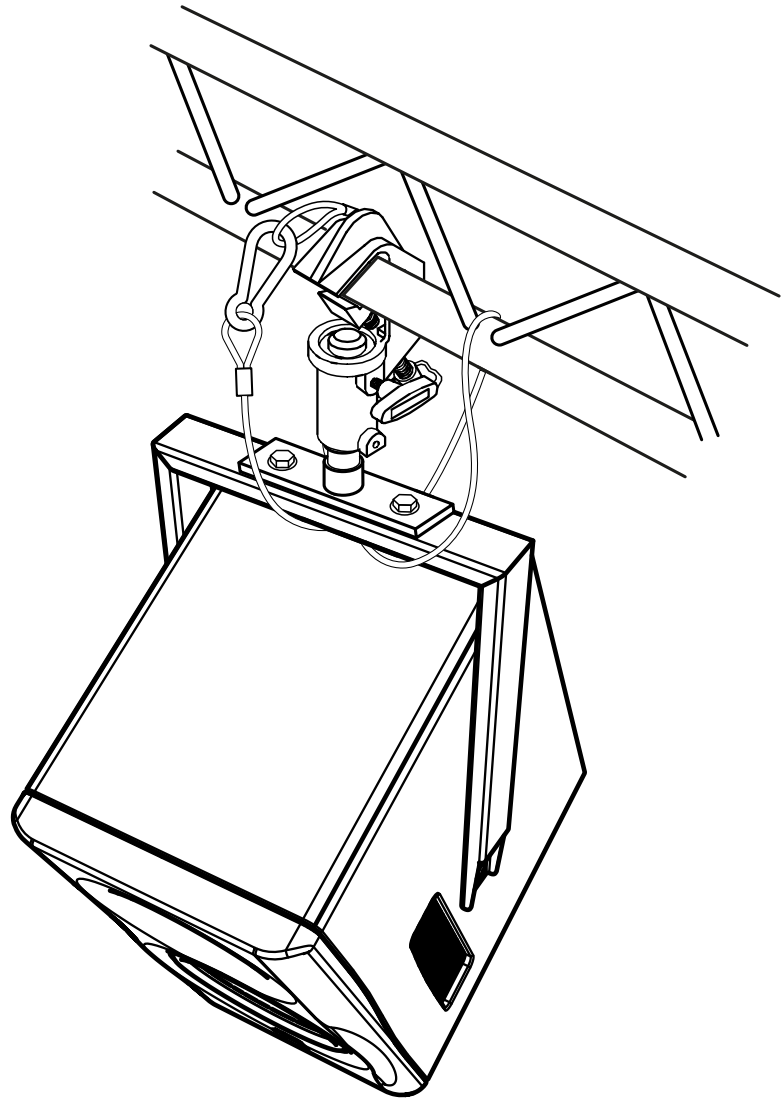
The 8c studio can be attached to a truss.



Secondary safeties should always be provided and used when flying or fixing loudspeaker loads overhead. Always attach a safety cable (not supplied with this package) to prevent the speaker from accidentally falling.

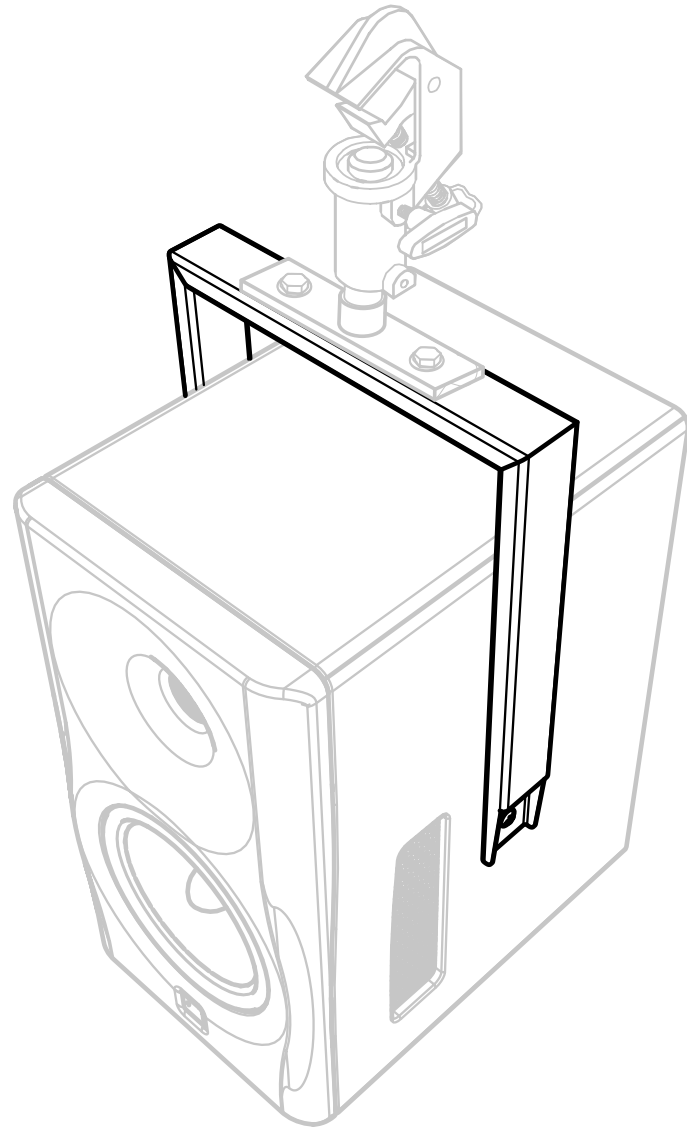


Check your local legislation for rigging these speakers.





DUTCH & DUTCH



DUTCH & DUTCH B.V.

CLAES DE VRIESELAAN 164
3021 JZ ROTTERDAM
THE NETHERLANDS
+31 (0)10 737 0863

WWW.DUTCHDUTCH.COM