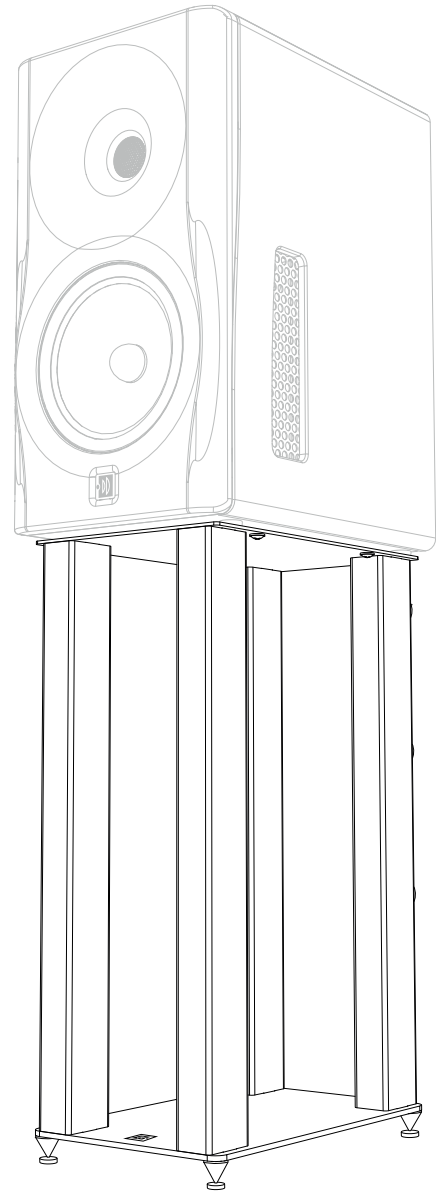

Dutch & Dutch 8c.

Installation manual 8c stand
2020 V 1.0



DUTCH & DUTCH





General

This is the installation manual of the Dutch & Dutch 8c stand. Use this manual as a guide to correctly assemble the stand and install the 8c system on it. We recommend to store this manual for later reference if needed.

Copyright

This document is copyright protected and any reproduction of the whole or part of this document is strictly prohibited, except with the written permission of Dutch & Dutch B.V. The contents of this document are subject to change without notice. All technical information in this document is for reference purposes only. The illustrations in this manual may differ from the actual module and set-up. All drawings and diagrams are for illustrative purposes only. All information subject to printing errors and technical changes.

© 2020 Dutch & Dutch B.V.

Claes de Vrieselaan 164

3021 JZ Rotterdam

The Netherlands

+31 (0)10 737 0863

www.dutchdutch.com



General safety

The 8c system has a weight of 23kg and the stand has a weight of 12kg.

You can fill the stand with sand that will increase the weight of the stand. It is recommended to install the stand with two persons to ensure a safe installation.

Always make sure that the stand with 8c system is installed on a flat and level surface.

Also make sure that the floor the 8c system is standing on can hold the weight of this system.

Do not install the stand and 8c system on sloped or damaged floors.

The stand and 8c system will stand firmly on the floor. However, people or pets might accidentally apply a large force on the assembled system making the system falling over.

Since the assembled system is heavy this can be very dangerous. If you feel that your installation might be at risk to such an event, please take additional measures.

During the assembly of the stand you will be holding and interlocking heavy metal parts.

Please wear building gloves when appropriate to prevent risk of pinching, cutting or wounding.



Warning signs

This manual contains notices and warning signs for your safety. Please take notice of these signs and act accordingly. When in doubt about how to proceed with the assembly, contact your dealer or distributor.



General warning sign



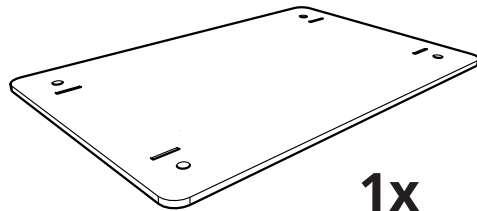
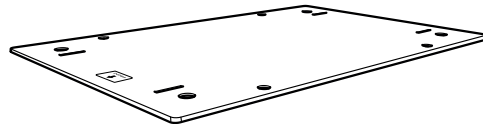
Notice sign

Parts checklist

This package contains all components and tools needed to assemble an 8c stand.

Verify that all components are there and free from damage. If there are signs of damage or if parts are missing please contact your dealer or distributor.

1x



1x



4x



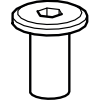
4x



4x



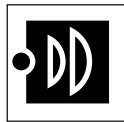
4x



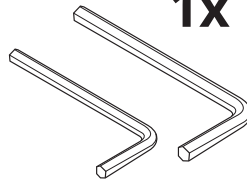
4x



1x



1x 4 mm

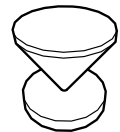


1x 5 mm

4x



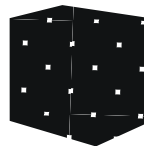
4x



2x



4x



4x



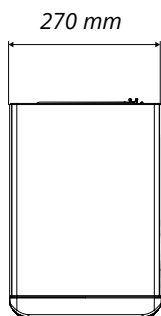


Technical Specifications

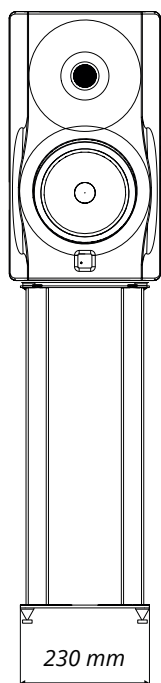
8c. speaker dimensions (HxWxD) 485 x 270 x 380 MM (19 x 10.5 x 15 IN)

8c. stand dimensions (HxWxD) 600 x 230 x 360 MM (24 x 9 x 14 IN)

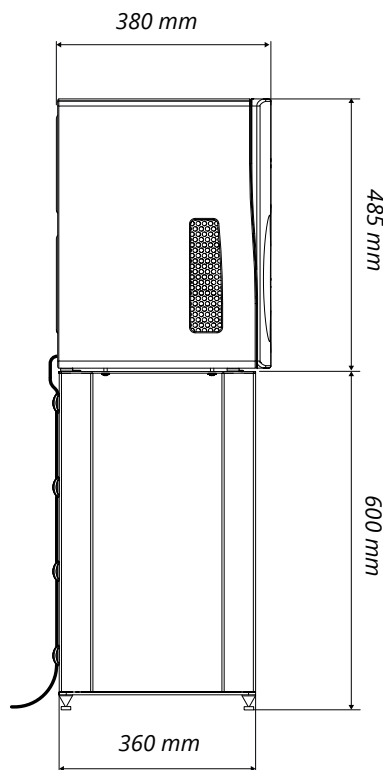
8c. stand weight 12 kg



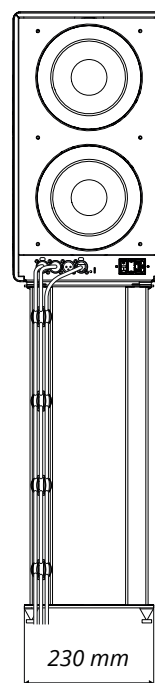
Top view



Front view



Side view

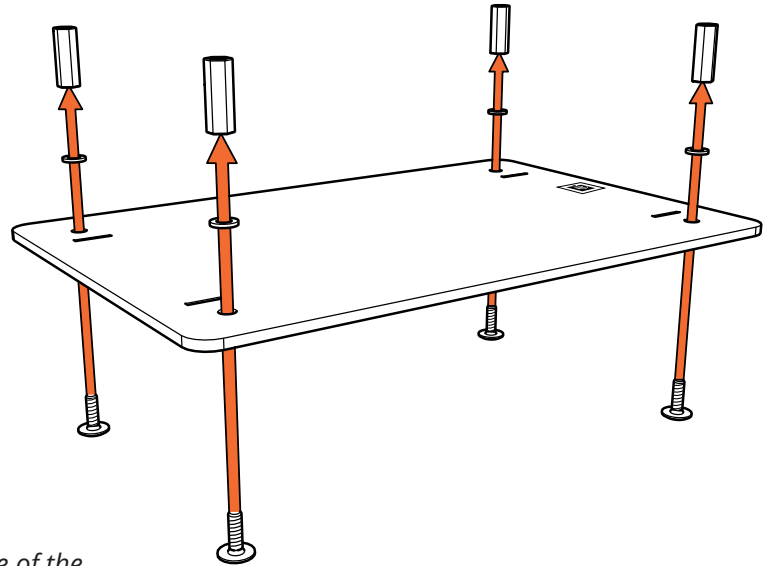


Back view



Step 1

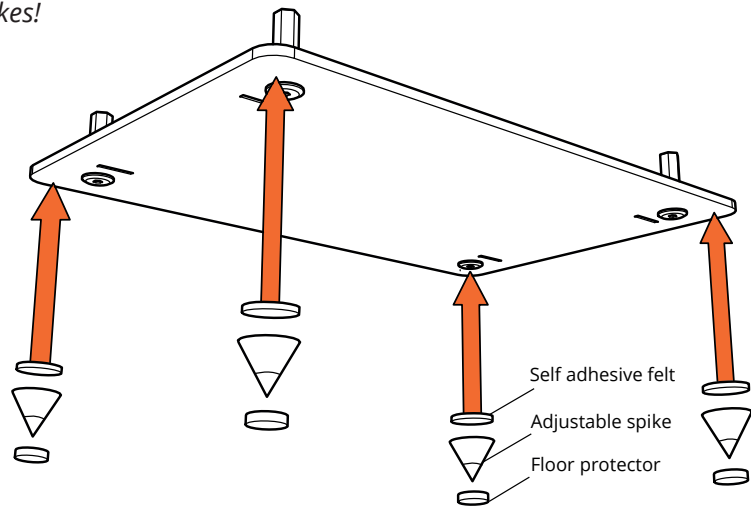
Assemble the bolts, spring washers and extension nuts to the bottom plate. They can be secured hand-tight.



Clean the corners of the bottom side of the plate with one of the supplied alcohol pads before mounting the adjustable spikes!

Step 2

Mount the 4 adjustable spikes of the speaker stand.



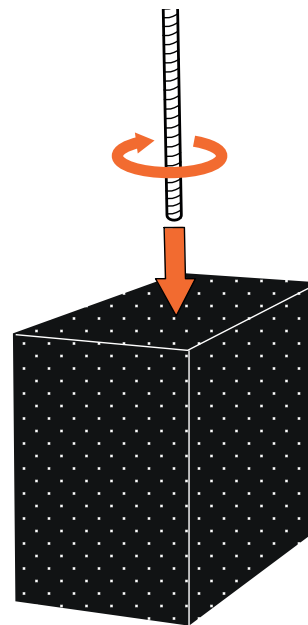
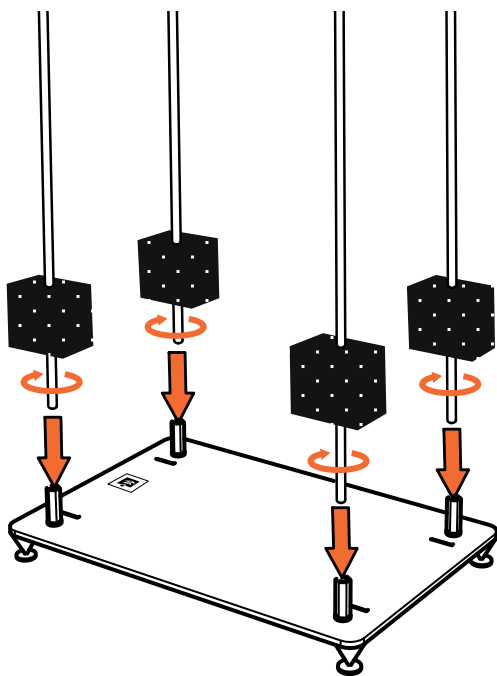


Step 3

Mount the 4 threaded rods through the foam.

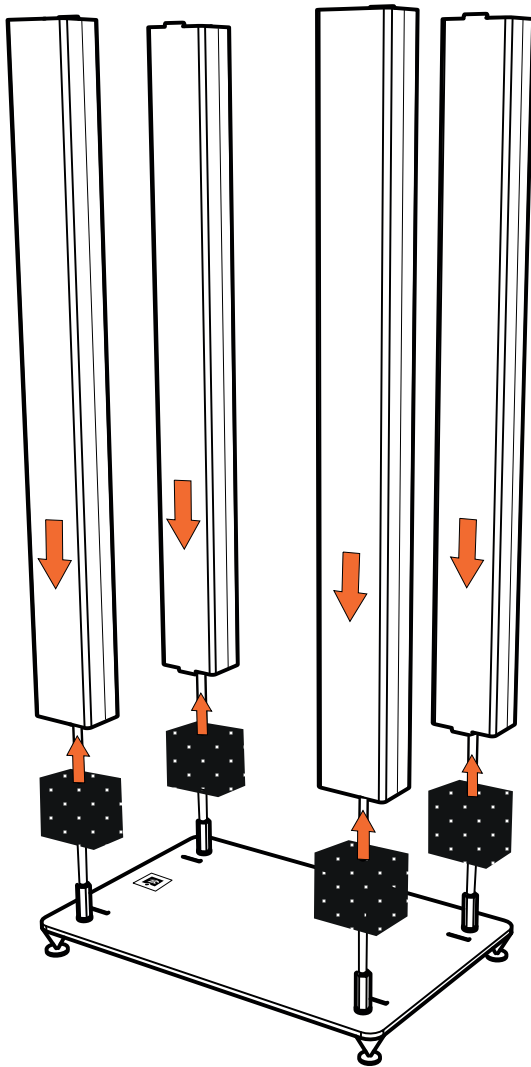


*The rods have a sharp point at the top.
Watch your eyes!*



Step 4

Mount the 4 threaded rods in the 4 legs.

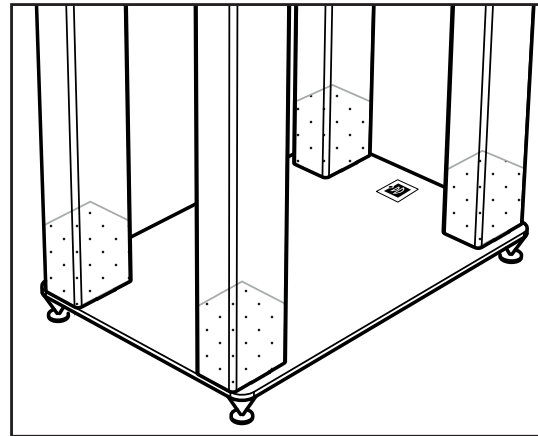


Step 5

Mount the 4 legs of the speaker stand on the bottom plate and push the foam into the legs.



*The legs have sharp edges.
Watch your fingers!*



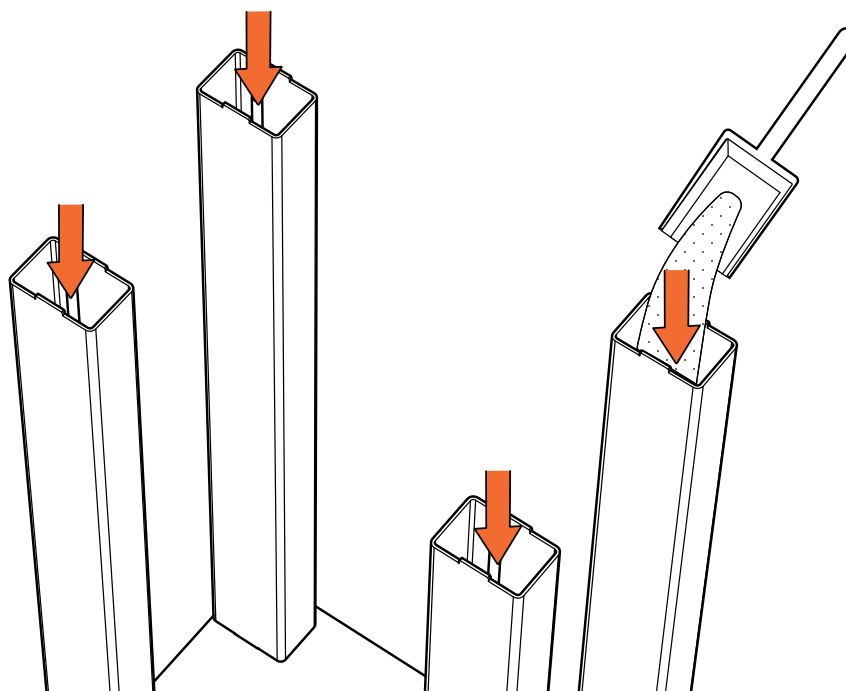


Step 6

Optionally you can fill each leg with sand to dampen and weighten the stand. Make sure that the rods are centered during filling the legs.



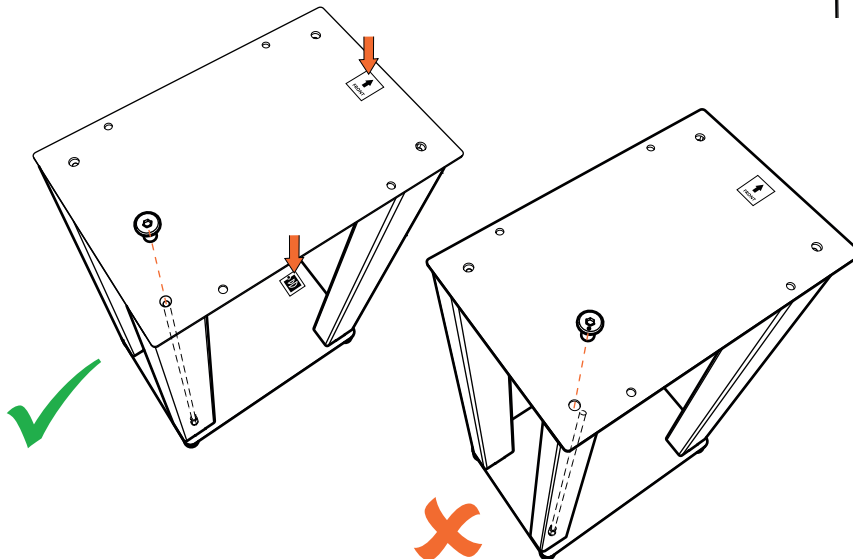
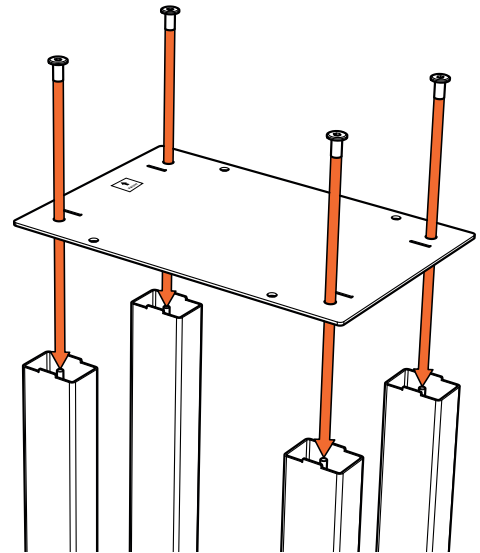
*This is an optional step,
sand is not supplied with
this package!*





Step 7

Loosely place the top plate on the legs. Add the bolts one by one by lining up each rod to the center of each hole. Do not tighten the bolts at all. Once all four bolts are on the rods, secure the top plate to the legs. Now tighten all four bolts as much as possible



The arrow on the top plate must face the logo plate of the bottom plate!

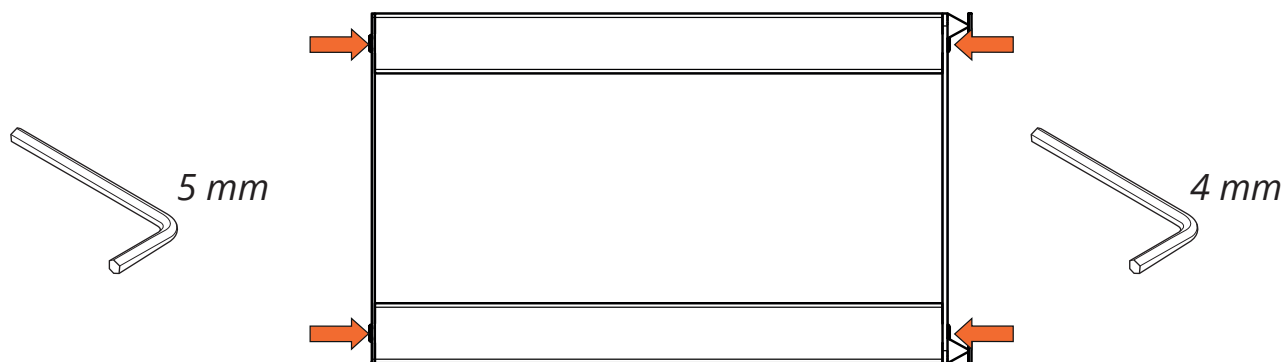


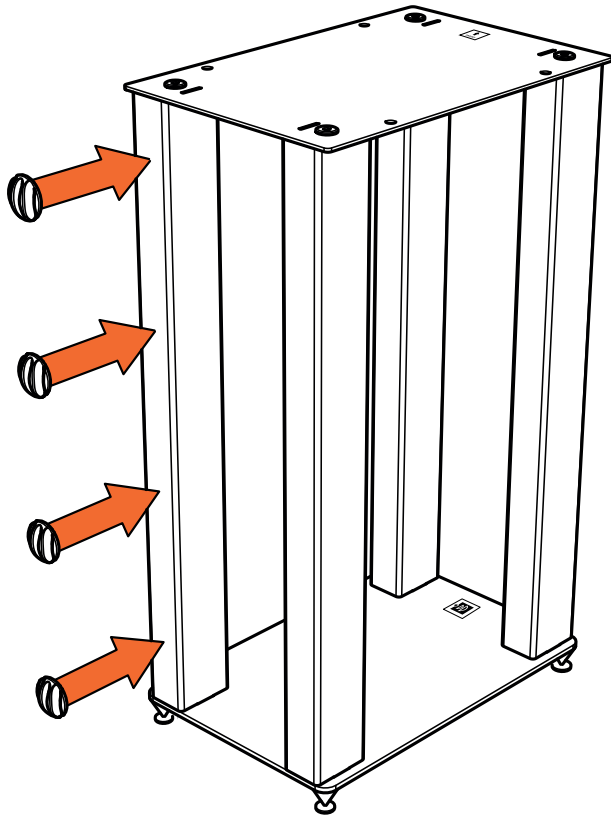
Align the rod in the middle of the hole!



Step 8

Rotate the stand on its side. Use the 2 allen keys to tighten the four bolts.



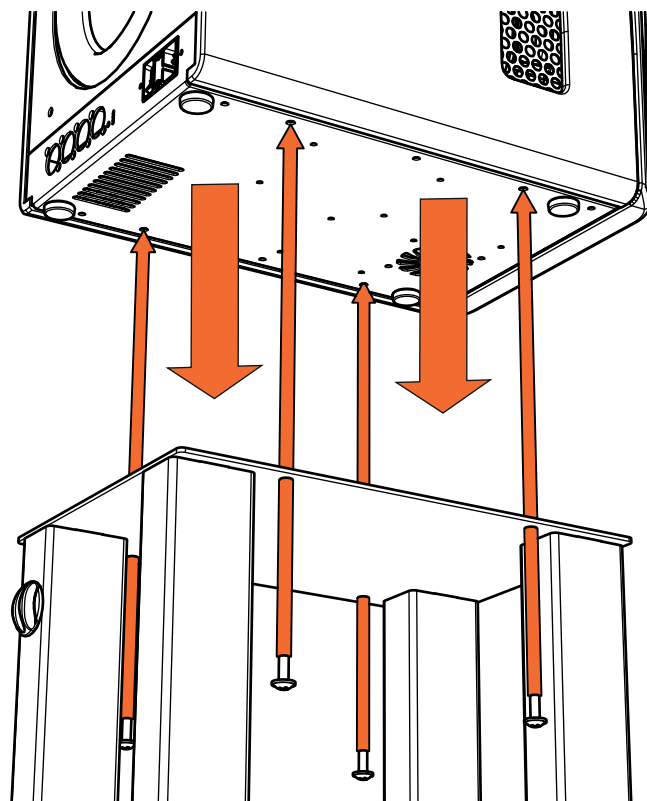


Step 9

Mount the 4 self adhesive cable clips.
You can either choose the left or right leg.



*Clean the surface of the leg with
the supplied alcohol pad before
applying the adhesive clips!*



Step 10

Align the 8c with the speaker stand before mounting.



Tighten the bolts with the allen key till first point of resistance!

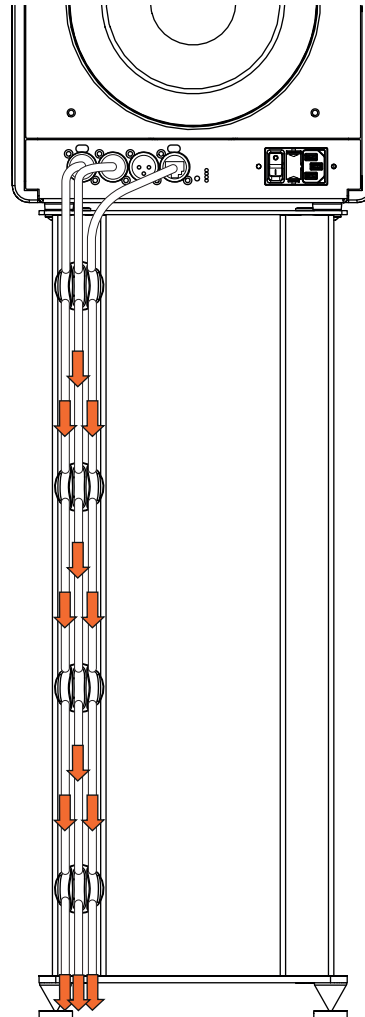


Step 11

Route the cables through the self-adhesive cable ducts.



Make sure the speaker is connected properly!





DUTCH & DUTCH

DUTCH & DUTCH B.V.

CLAES DE VRIESELAAN 164
3021 JZ ROTTERDAM
THE NETHERLANDS
+31 (0)10 737 0863

WWW.DUTCHDUTCH.COM



8 719326 026794

